

## MOTOR SUPPRESSOR

RC, 3x575VAC/7,5kW

3x 575 V AC

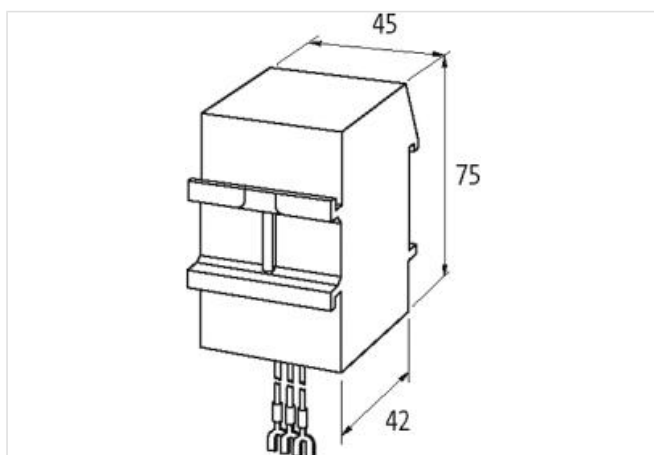
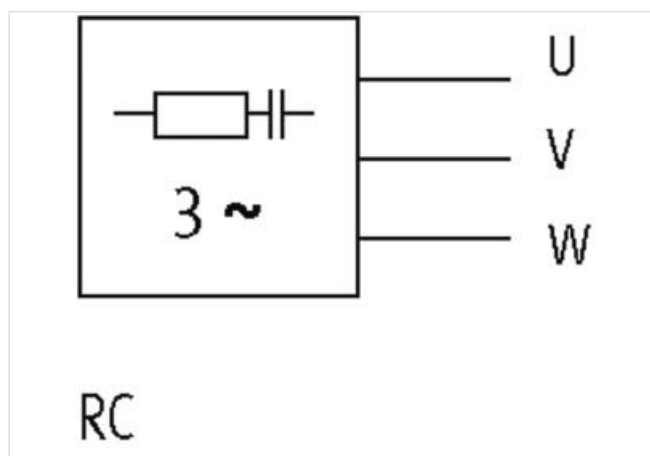
RC

with ferrule ends

Suppressors for other voltages, frequencies, and motor ratings available on request. Do not use RC motor suppressors with frequency inverters.

### [Link til produkt](#)

#### Illustrasjon



Produktet kan avvike fra bildet



#### Handelsinformasjon

ECLASS-6.0	27371013
ECLASS-6.1	27371013
ECLASS-7.0	27371013
ECLASS-8.0	27371013
ECLASS-9.0	27371013

ECLASS-10.1	27371013
ECLASS-11.1	27371013
ECLASS-12.0	27371013
ETIM-5.0	EC000197
GTIN	4048879015820
Pakkestørrelse	1
Tolltariffnummer	85363010

**Electrical data | Supply**

Power frequency	50 ... 60 Hz
-----------------	--------------

**Electrical data | Input**

Input voltage AC	575 V
------------------	-------

**Installation**

Connection cross-section stranded/fine-stranded min.	0,5 mm <sup>2</sup>
--	---------------------

**Installation | Connection**

Connection information	Einzellitzen mit selbstsicherndem Gabelkabelschuh M4
Length single strands	250 mm

**Device protection | Media**

Flame resistance	flame retardant
------------------	-----------------

**Mechanical data | Material data**

Combustibility class housing (UL94)	V-0
Material housing	Plastic
Material potting compound	2-component epoxy

**Mechanical data | Mounting data**

Height	75 mm
Width	45 mm
Depth	42 mm

**Environmental characteristics | Climatic**

Operating temperature min.	-20 °C
Operating temperature max.	60 °C