

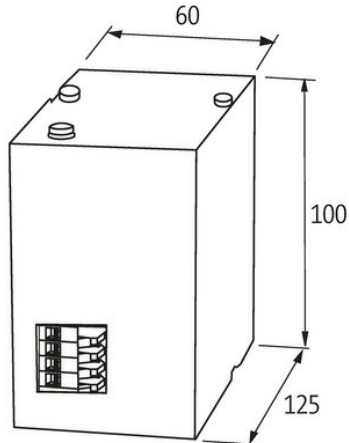
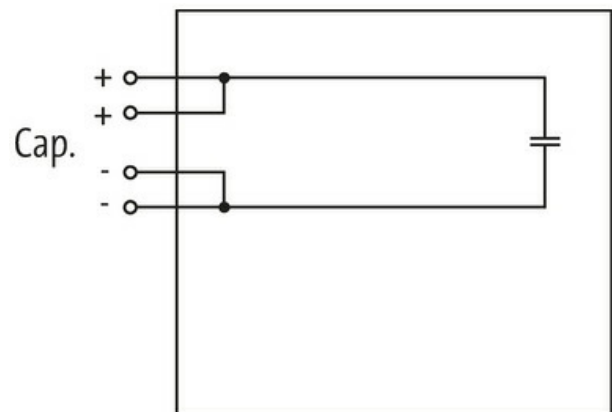
MB CAP ULTRA ADD-ON-MODULE

IN: 0-26,4VDC OUT:0-26,4VDC/3A for max.1A/21S

INPUT: 24 V DC (SELV/PELV)

OUTPUT: max. 3 A

12 s (3 A); 36 s (1 A)

[Link to Product](#)**Illustration**

Product may differ from Image

**General data**

Standards	EN 60950, EN 50178, SELV/PELV
Mounting method	DIN-rail mountable TH35 (EN 60715)
Temperature range	-20...+60 °C (storage temperature -20...+60 °C)
Efficiency	90%

Output

Output voltage	0...26.4 V DC
----------------	---------------

Buffer time	12 s (3 A); 36 s (1 A)
-------------	------------------------

Output current	max. 3 A (+60 °C)
----------------	-------------------

Input

Input voltage	0...26.4 V DC
---------------	---------------

Input current	3 A
---------------	-----

Commercial data

country of origin	DE
-------------------	----

customs tariff number	85322900
-----------------------	----------

EAN	4048879079792
-----	---------------

eClass	27049190
--------	----------

Packaging unit	1.000
----------------	-------