

SIEMENS CONTACTOR SUPPRESSOR

Zener diode, 24VDC

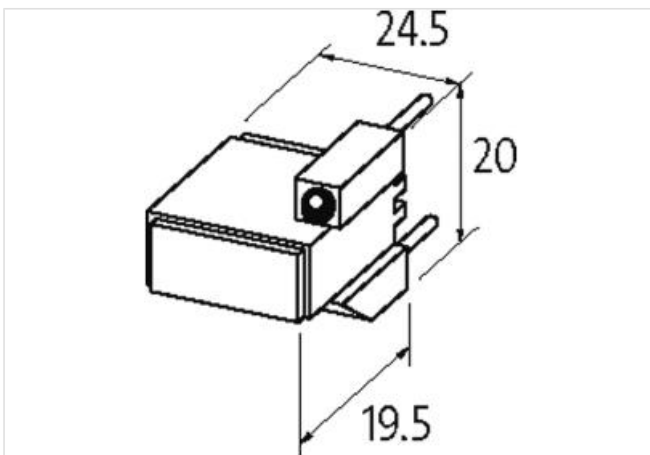
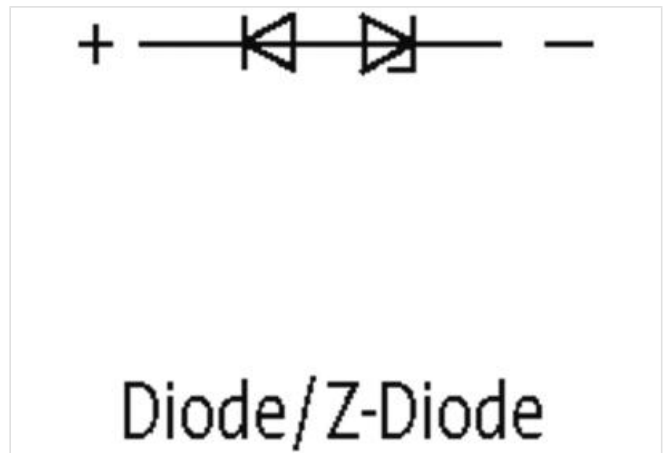
24 V DC

Diode/Z-Diode

For other configurations and voltages, please inquire.

[Link to Product](#)

Illustration



Product may differ from Image



Commercial data

ECLASS-6.0	27371013
ECLASS-6.1	27371013
ECLASS-7.0	27371013
ECLASS-8.0	27371013
ECLASS-9.0	27371013
ECLASS-10.1	27371013

ECLASS-11.1	27371013
ECLASS-12.0	27371013
ETIM-5.0	EC002498
customs tariff number	85363010
GTIN	4048879018586
Packaging unit	1
Compatibility Compatible with	
Appropriate contactors	3 TH 2; 3 TF 2; 3 TH 20; 3 TF 20
Electrical data	
Damping factor	1.5x UN
Electrical data Input	
Input voltage DC min.	24 V
Input voltage DC max.	240 V
Installation Connection	
Connection information	Plug contact
Device protection Media	
Flame resistance	flame retardant
Mechanical data Material data	
Combustibility class housing (UL94)	V-0
Material housing	Plastic
Mechanical data Mounting data	
Height	19,5 mm
Width	20 mm
Depth	24,5 mm
Environmental characteristics Climatic	
Operating temperature min.	-20 °C
Operating temperature max.	70 °C