

**M12 MALE 0° / M8 FEMALE 0°**

PUR 3X0.34 GRAY, UL/CSA, drag ch 10m

Male straight – female straight

M12 – M8, 3-pole

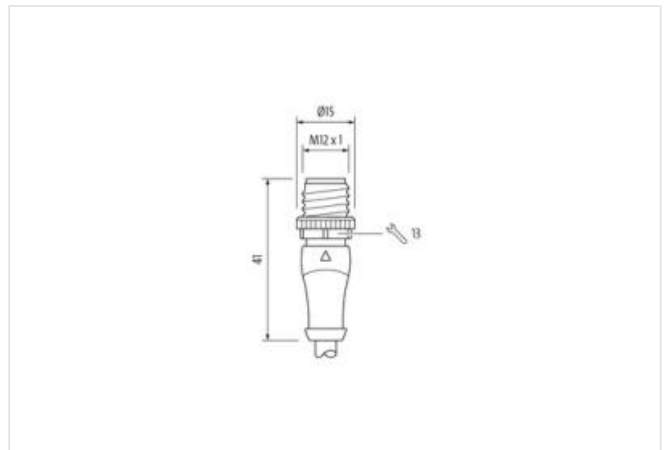
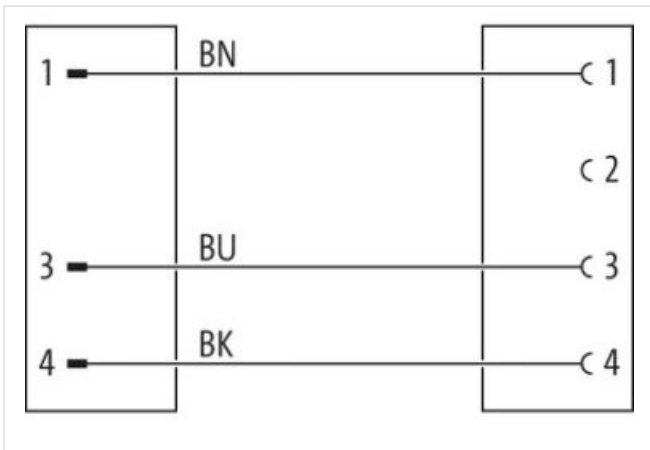
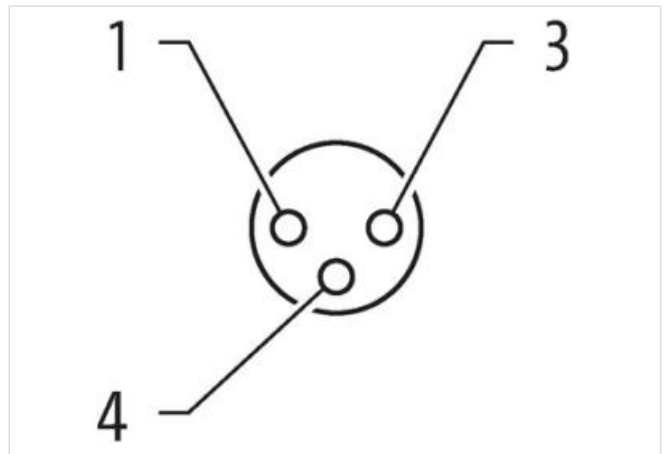
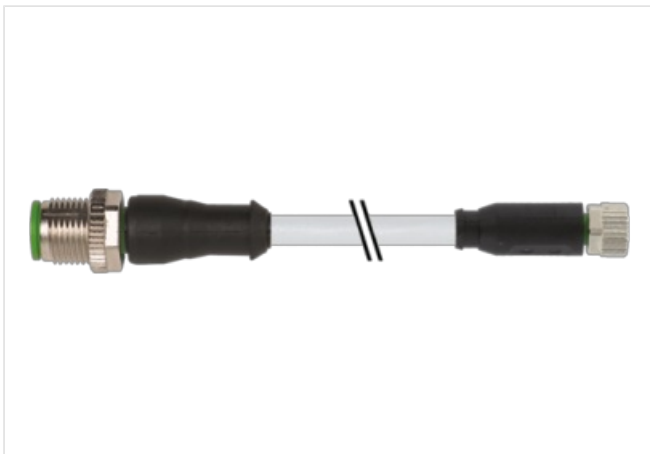
Plastic housings with good resistance against chemicals and oils.

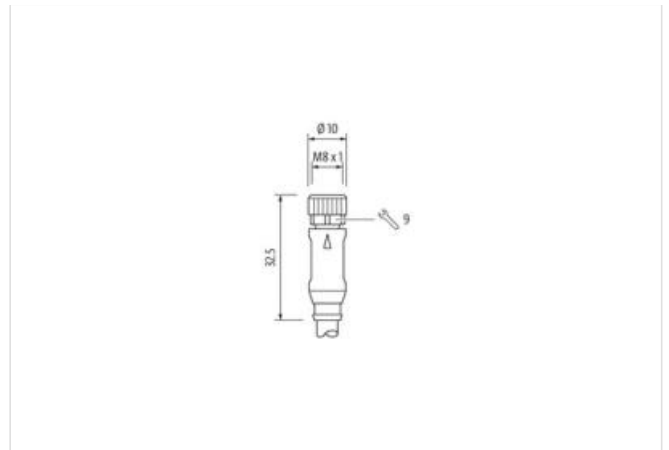
The resistance to aggressive media should be individually tested for your application. Further details on request.

Further cable lengths on request.

[Link til produkt](#)

Illustrasjon





Produktet kan avvike fra bildet



Cable length 10 m

**Side 1**

Tightening torque 0,6 Nm  
 Family construction form M12  
 Thread M12 x 1  
 Degree of protection (EN IEC 60529) IP66K, IP67

**Side 2**

Tightening torque 0,4 Nm  
 Family construction form M8  
 Thread M8 x 1  
 Degree of protection (EN IEC 60529) IP66K, IP67

**Handelsinformasjon**

ECLASS-6.0 27279218  
 ECLASS-7.0 27279218  
 ECLASS-8.0 27279218  
 ECLASS-9.0 27060311  
 ECLASS-10.1 27060311  
 ECLASS-11.1 27060311  
 ECLASS-12.0 27060311  
 ETIM-5.0 EC001855  
 GTIN 4048879326605  
 Pakkestørrelse 1  
 Tolltariffnummer 85444290

**Electrical data | Supply**

Operating voltage AC max. 60 V  
 Operating voltage DC max. 60 V  
 Current operating per contact max. 4 A

**Device protection | Electrical**

Additional condition protection degree inserted, screwed

**Mechanical data | Material data**

Coating locking Nickeled

Locking material                                  Zinc die-casting

#### Mechanical data | Mounting data

Mounting method                                  inserted, screwed, Shaking protection

#### Environmental characteristics | Climatic

Operating temperature min.                        -25 °C

Operating temperature max.                       85 °C

Additional condition temperature range        depending on cable quality

#### Important installation notes

Note on strain relief                                  Protect the connectors by suitable measures from mechanical loads, e.g. by the usage of cable ties.

Note on bending radius                              **Attention:** Observe the permissible bending radii when laying cables, as the IP protection class can be endangered by excessive bending forces.

#### Installation | Cable

wire arrangement                                  brown, black, blue

Cable identification                                  233

Cable Type    3

Jacket Color    gray

Type of Certificate                                  cURus

Amount stranding                                   1

Stranding    3 wires twisted

wire arrangement                                  brown, black, blue

Cable weight                                         29,7 g/m

Material jacket                                        PUR

Shore hardness jacket                              90 ± 5 Shore A

Freedom from ingredients (jacket)             lead-free, cadmium-free, CFC-free, halogen-free, silicone-free

Outer-diameter (jacket)                            4,1 mm

Tolerance outer diameter (sheath)             ± 5 %

Material wire insulation                            PP

Amount wires                                         3

Outer diameter insulation                         1,25 mm

Outer diameter tolerance core insulation     ± 5 %

Shore hardness wire insulation                 70 ± 5 Shore D

Ingredient freeness wire insulation           lead-free, cadmium-free, CFC-free, halogen-free, silicone-free

Amount strands (wire)                            42

Diameter of single wires                         0,1 mm

Conductor crosssection (wire)                 0,34 mm<sup>2</sup>

Material conductor wire                            Stranded copper wire, bare

Conductor type (wire)                             strand class 6

Nominal voltage AC max.                         300 V

Current load capacity (standard)             to DIN VDE 0298-4

Current load capacity min. wire                 6 A

Electrical resistance line constant wire     57 Ω/km @ 20 °C

AC withstand voltage (wire - wire)            2,5 kV @ 60 s

Power frequency withstand voltage (wire - jacket)                              2,5 kV @ 60 s

Min. operating temperature (static)           -40 °C

Max. operating temperature (fixed)           80 °C / 90 °C @ 10000 h Operation

Operating temperature min. (dynamic)        -25 °C

Operating temperature max. (dynamic)       80 °C / 90 °C @ 10000 h Operation

Flame resistance                                    UL 1581 § 1090 | IEC 60332-2-2 | UL 1581 § 1100 FT2

chemical resistance                                Good, application-related testing

Gasoline resistance                                Good, application-related testing

Oil resistance                                        Good, application-related testing | DIN EN 60811-404

Bending radius (fixed)                            5 x Outer diameter

Bending radius (dynamic)	10 x Outer diameter
No. of bending cycles (C-track)	10 Mio. @ 25 °C
Traversing distance (C-track)	10 m @ 25 °C   horizontal
Travel speed (C-track)	3 m/s @ 25 °C
No. of torsion cycles	2 Mio.
Torsion stress	± 180 °/m
Torsion speed	35 cycles/min