

Mini (7/8) 4 pole, Male (Ext.) 0°/Female 0°

TPE 4x16AWG ye UL/CSA, TC-ER

Male straight – female straight

7/8" – 7/8", 4-pole

Power cable

USA

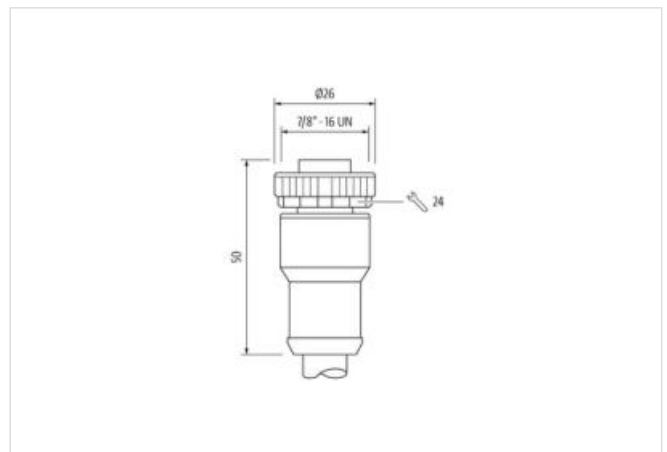
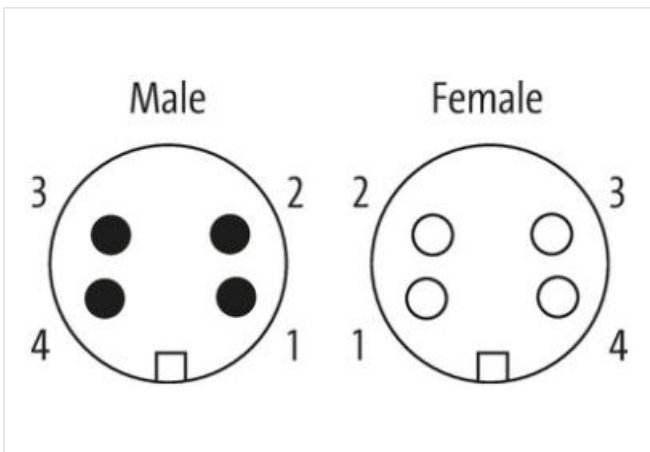
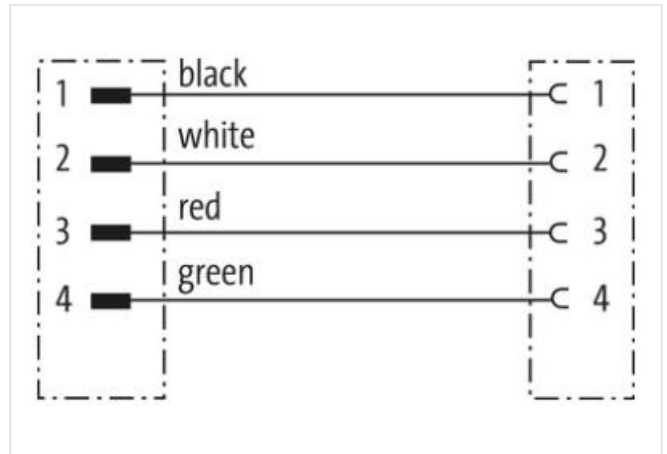
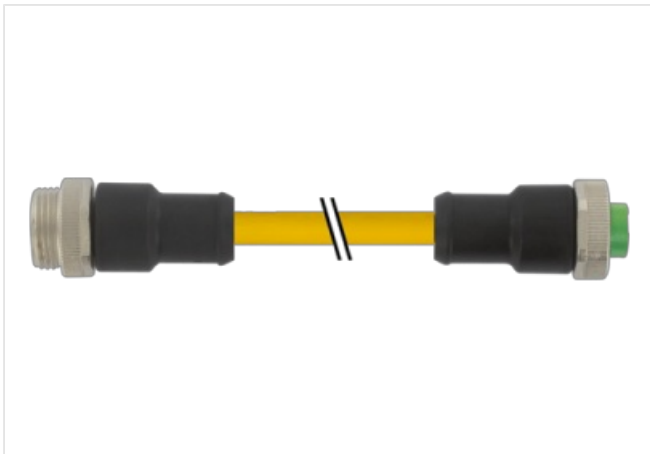
Further cable lengths on request.

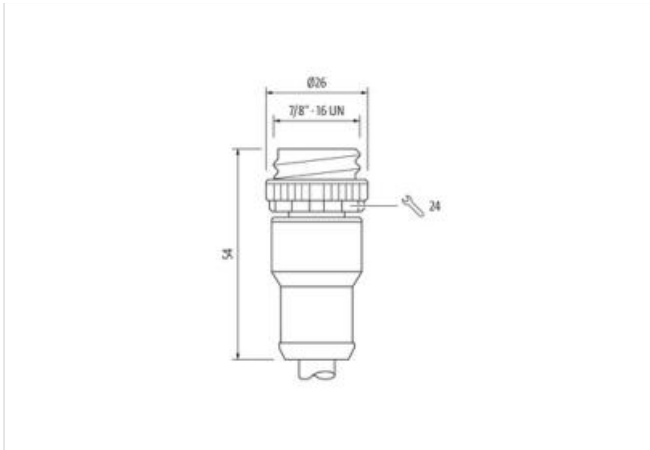
Plastic housings with good resistance against chemicals and oils.

The resistance to aggressive media should be individually tested for your application. Further details on request.

[Link to Product](#)

Illustration





Product may differ from Image



Cable length	5 m
--------------	-----

Side 1

Tightening torque	1,5 Nm
Family construction form	7/8"
Thread	7/8"
Width across flats	SW24

Side 2

Tightening torque	1,5 Nm
Thread	7/8"

Commercial data

ECLASS-6.0	27279218
ECLASS-7.0	27279218
ECLASS-8.0	27279218
ECLASS-9.0	27060311
ECLASS-10.1	27060311
ECLASS-11.1	27060311
ECLASS-12.0	27060327
ETIM-5.0	EC001855
customs tariff number	85444290
GTIN	4048879698146
Packaging unit	1

Electrical data | Supply

Operating voltage AC max.	600 V
Operating voltage DC max.	600 V
Current operating per contact max.	9 A

Device protection | Electrical

Degree of protection (EN IEC 60529)	IP68
Additional condition protection degree	inserted, screwed

Mechanical data | Material data

Coating locking	Nickeled
Material housing	PUR

Locking material Zinc die-casting

Mechanical data | Mounting data

Mounting method inserted, screwed, Shaking protection

Environmental characteristics | Climatic

Operating temperature min. -25 °C

Operating temperature max. 80 °C

Additional condition temperature range depending on cable quality

Important installation notes

Note on strain relief Protect the connectors by suitable measures from mechanical loads, e.g. by the usage of cable ties.

Note on bending radius **Attention:** Observe the permissible bending radii when laying cables, as the IP protection class can be endangered by excessive bending forces.

Installation | Cable

wire arrangement black, green, red, white

Cable identification U1C

Jacket Color yellow

Type of Certificate cURus

Amount stranding 1

Stranding 4 wires with 5 Filler twisted

Banding Foil

Filler yes

wire arrangement black, green, red, white

Cable weight 117,7 g/m

Material jacket TPE

Freedom from ingredients (jacket) lead-free, CFC-free, halogen-free

Outer-diameter (jacket) 9,02 mm

Tolerance outer diameter (sheath) ± 5 %

Material wire insulation PVC

Amount wires 4

Outer diameter insulation 2,62 mm

Outer diameter tolerance core insulation ± 5 %

Ingredient freeness wire insulation lead-free, CFC-free

Amount strands (wire) 65

Diameter of single wires 34 AWG

Conductor crosssection (wire) 16 AWG

Material conductor wire Stranded copper wire, bare

Nominal voltage AC max. 600 V

Current load capacity (standard) according to NFPA-70 (NEC) : 400.5(A) (1-3)

Current load capacity min. wire 8 A

Electrical resistance line constant wire 13,2 Ω/km @ 20 °C

AC withstand voltage (wire - wire) 6 kV @ 60 s

Power frequency withstand voltage (wire - jacket) 6 kV @ 60 s

Min. operating temperature (static) -50 °C

Max. operating temperature (fixed) 105 °C

Operating temperature min. (dynamic) -20 °C

Operating temperature max. (dynamic) 90 °C

Flame resistance UL 1581 § 1090 | IEC 60332-2-2 | UL 1581 § 1100 FT2

chemical resistance Good, application-related testing

Gasoline resistance Good, application-related testing

Oil resistance Good, application-related testing | DIN EN 60811-404

Bending radius (fixed) 8 x Outer diameter

Bending radius (dynamic) 10 x Outer diameter

No. of bending cycles (C-track) 2 Mio.

The information in this Product-PDF has been compiled with the utmost care.
 Liability for the correctness completeness and topicality of the information is restricted to gross negligence. Version: 2024-06-26