

RJ45 male 0° / RJ45 male 0° shielded

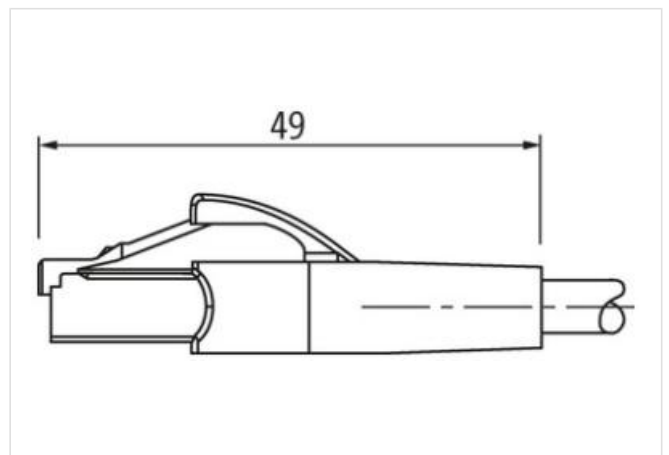
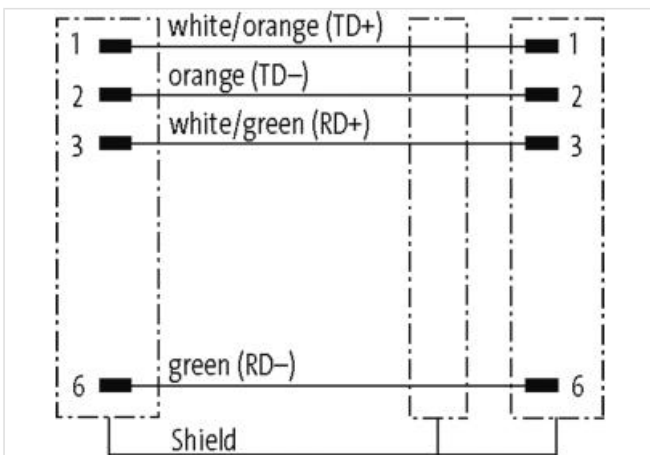
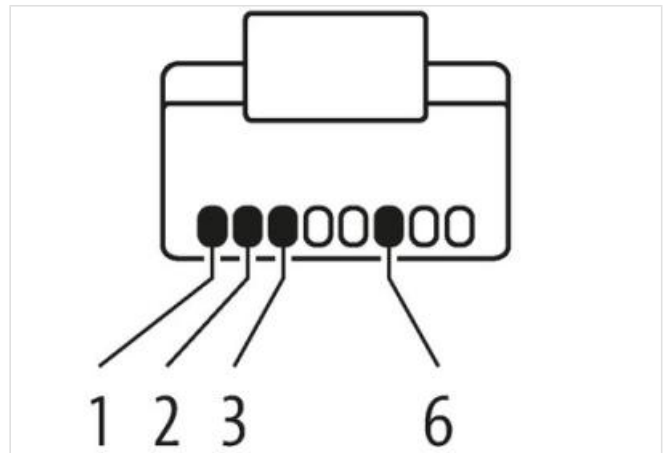
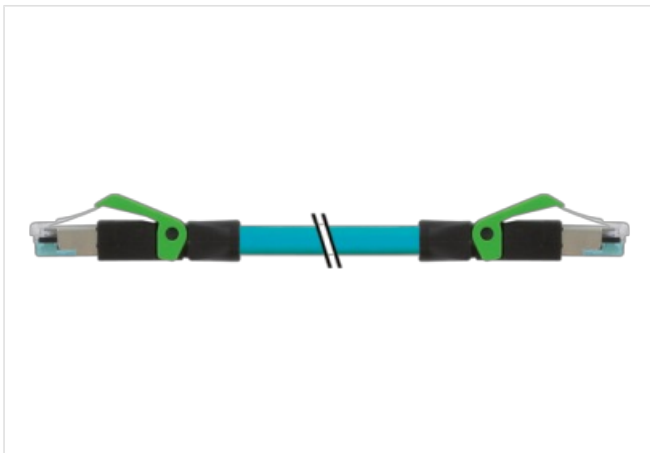
TPE 2x2x24AWG SF/UTP CAT5e bu UL/CSA. CM 1m

Ethernet CAT5
 Male straight – male straight
 RJ45 – RJ45, 4-pole
 shielded
 without cable sleeves

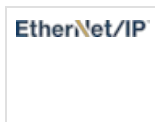
Further cable lengths on request.
 Plastic housings with good resistance against chemicals and oils.
 The resistance to aggressive media should be individually tested for your application. Further details on request.

[Link til produkt](#)

Illustrasjon



Produktet kan avvike fra bildet



Cable length

1 m

| Side 1 | |
|---------------------------------------------------|-------------------------------------------------------------------------------------------------------------------------------------------------------|
| Mounting method | inserted |
| Family construction form | RJ45 |
| No. of poles | 4 |
| Side 2 | |
| Family construction form | RJ45 |
| No. of poles | 4 |
| Handelsinformasjon | |
| ECLASS-6.0 | 27061801 |
| ECLASS-6.1 | 27060307 |
| ECLASS-7.0 | 27060307 |
| ECLASS-8.0 | 27060307 |
| ECLASS-9.0 | 27060307 |
| ECLASS-10.1 | 27060307 |
| ECLASS-11.1 | 27060307 |
| ECLASS-12.0 | 27060307 |
| ETIM-5.0 | EC002599 |
| GTIN | 4048879619592 |
| Pakkestørrelse | 1 |
| Tolltariffnummer | 85444210 |
| Electrical data Supply | |
| Operating voltage DC max. | 60 V |
| Industrial communication | |
| Transfer parameters | CAT5, Class D (ISO/IEC 11801:2002), (EN 50173-1) |
| Data transmission rate max. | 100 MBit/s |
| Industrial communication Ethernet functionality | |
| duplex | Full duplex |
| Device protection Electrical | |
| Pollution Degree | 3 |
| Rated surge voltage | 1 kV |
| Material group (IEC 60664-1) | I |
| Environmental characteristics Climatic | |
| Operating temperature min. | -25 °C |
| Operating temperature max. | 85 °C |
| Additional condition temperature range | depending on cable quality |
| Important installation notes | |
| Note on strain relief | Protect the connectors by suitable measures from mechanical loads, e.g. by the usage of cable ties. |
| Note on bending radius | Attention: Observe the permissible bending radii when laying cables, as the IP protection class can be endangered by excessive bending forces. |
| Installation Cable | |
| wire arrangement | (orange-white, orange), (green-white, green) |
| Cable identification | S4U |
| Function cable | Data |
| Jacket Color | teal |
| Type of Certificate | cURus |
| Amount stranding | 2 |
| Stranding | 2 wires twisted |
| Amount stranding (type 2) | 1 |
| Stranding (type 2) | 2 Stranded joints twisted |
| Cable shielding (type) | copper braid, tinned |

| | |
|---------------------------------------------------|------------------------------------------------------|
| Cable shielding (coverage) | 75 % |
| Banding | Foil |
| wire arrangement | (orange-white, orange), (green-white, green) |
| Cable length max. | 83 m |
| Cable weight | 55,66 g/m |
| Material jacket | TPE |
| Freedom from ingredients (jacket) | lead-free, CFC-free |
| Outer-diameter (jacket) | 6,6 mm |
| Tolerance outer diameter (sheath) | ± 5 % |
| Material wire insulation | HDPE |
| Amount wires | 4 |
| Outer diameter insulation | 1,22 mm |
| Outer diameter tolerance core insulation | ± 5 % |
| Ingredient freeness wire insulation | lead-free, CFC-free |
| Amount strands (wire) | 7 |
| Diameter of single wires | 24 AWG |
| Conductor crosssection (wire) | 24 AWG |
| Material conductor wire | copper stranded wire, tinned |
| Nominal voltage AC max. | 600 V |
| Current load capacity (standard) | to DIN VDE 0298-4 |
| Current load capacity min. wire | 2,4 A |
| Characteristic impedance | 100 Ω @ 100 MHz |
| Electrical resistance line constant wire | 76,4 Ω/km @ 20 °C |
| AC withstand voltage (wire - wire) | 1,5 kV @ 2 s |
| Power frequency withstand voltage (wire - jacket) | 1,5 kV @ 2 s |
| Loop resistance | 280 Ω/km |
| Min. operating temperature (static) | -40 °C |
| Max. operating temperature (fixed) | 80 °C |
| Operating temperature min. (dynamic) | -40 °C |
| Operating temperature max. (dynamic) | 80 °C |
| Storage temperature min. | -40 °C |
| Storage temperature max. | 80 °C |
| Flame resistance | UL 1581 § 1100 FT2 UL 1581 § 1090 IEC 60332-2-2 |
| chemical resistance | Good, application-related testing |
| Gasoline resistance | Good, application-related testing |
| Oil resistance | DIN EN 60811-404 Good, application-related testing |
| Bending radius (dynamic) | 4 x Outer diameter |
| No. of bending cycles (C-track) | 35 Mio. |
| Traversing distance (C-track) | 0,6 m |
| Travel speed (C-track) | 1,2 m/s |
| No. of torsion cycles | 3 Mio. |
| Torsion stress | ± 270 °/m |
| Torsion speed | 60 cycles/min |