

**M12 fem. recept. X-cod. / RJ45 male 0° shielded**

TPE 4x2x26AWG SF/UTP CAT6a bu UL/CSA. CMR 15m

USA

Transmission properties with channel transmission up to 50 m

Ethernet CAT6A

Flange female straight – male straight

RJ45 – M12, 8-pole

X-coded

shielded

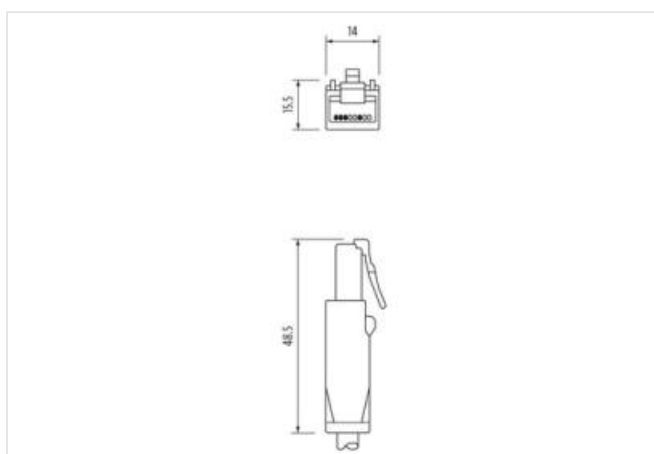
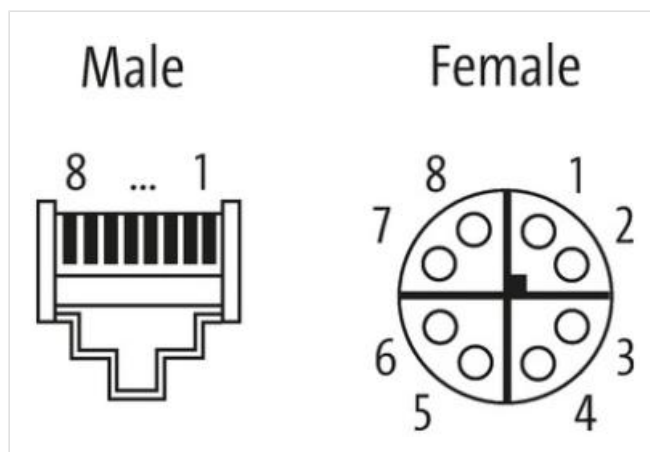
Rear mounting

without cable sleeves

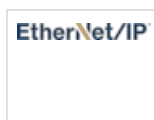
Protection cap

[Link til produkt](#)

Illustrasjon



Produktet kan avvike fra bildet



Cable length 15 m

#### Side 1

Mounting method inserted, screwed  
 Family construction form RJ45  
 No. of poles 8

#### Side 2

Mounting method inserted, screwed  
 Family construction form M12  
 No. of poles 8

#### Handelsinformasjon

ECLASS-6.0 27279221  
 ECLASS-6.1 27279220  
 ECLASS-7.0 27440103  
 ECLASS-8.0 27440103  
 ECLASS-9.0 27440103  
 ECLASS-10.1 27440103  
 ECLASS-11.1 27440103  
 ECLASS-12.0 27440103  
 ETIM-5.0 EC002599  
 GTIN 4048879854634  
 Pakkestørrelse 1  
 Tolltariffnummer 85444290

#### Electrical data | Supply

Operating voltage DC max. 60 V

#### Industrial communication

Transfer parameters CAT6, Class EA (ISO/IEC 11801:2002), (EN 50173-1)  
 Data transmission rate max. 10000 MBit/s

#### Device protection | Electrical

Pollution Degree 3  
 Rated surge voltage 0,8 kV  
 Material group (IEC 60664-1) I

#### Environmental characteristics | Climatic

Operating temperature min. -25 °C  
 Operating temperature max. 85 °C  
 Additional condition temperature range depending on cable quality

#### Important installation notes

Note on strain relief Protect the connectors by suitable measures from mechanical loads, e.g. by the usage of cable ties.  
 Note on bending radius **Attention:** Observe the permissible bending radii when laying cables, as the IP protection class can be endangered by excessive bending forces.

#### Installation | Cable

wire arrangement (orange-white, orange), (blue-white, blue), (brown-white, brown), (green-white, green)  
 Cable identification S4X  
 Function cable Data  
 Jacket Color blue  
 Type of Certificate cURus  
 Amount stranding 4  
 Stranding 2 wires twisted  
 Amount stranding (type 2) 1  
 Stranding (type 2) 4 Stranded joints around Insulation element twisted  
 Banding Foil  
 Filler Insulation element

wire arrangement	(orange-white, orange), (blue-white, blue), (brown-white, brown), (green-white, green)
Cable length max.	66 m
Cable weight	65,48 g/m
Material jacket	TPE
Freedom from ingredients (jacket)	lead-free, CFC-free
Outer-diameter (jacket)	7,4 mm
Tolerance outer diameter (sheath)	± 5 %
Material wire insulation	HDPE
Amount wires	8
Outer diameter insulation	0,9 mm
Outer diameter tolerance core insulation	± 5 %
Ingredient freeness wire insulation	lead-free, CFC-free
Amount strands (wire)	7
Diameter of single wires	26 AWG
Conductor crosssection (wire)	26 AWG
Material conductor wire	copper stranded wire, tinned
Nominal voltage AC max.	600 V
Current load capacity (standard)	to DIN VDE 0298-4
Current load capacity min. wire	2 A
Characteristic impedance	100 Ω @ 100 MHz
Electrical resistance line constant wire	212 Ω/km @ 20 °C
AC withstand voltage (wire - wire)	1,5 kV @ 2 s
Electrical capacity line constant (wire - wire)	84850 pF/km
Power frequency withstand voltage (wire - jacket)	1,5 kV @ 2 s
Loop resistance	424 Ω/km
Min. operating temperature (static)	-40 °C
Max. operating temperature (fixed)	80 °C
Operating temperature min. (dynamic)	-40 °C
Operating temperature max. (dynamic)	80 °C
Storage temperature min.	-40 °C
Storage temperature max.	80 °C
Flame resistance	IEC 60332-2-2   UL 1581 § 1100 FT2   UL 1581 § 1090
chemical resistance	Good, application-related testing
Gasoline resistance	Good, application-related testing
Oil resistance	DIN EN 60811-404   Good, application-related testing
Bending radius (dynamic)	5 x Outer diameter
No. of bending cycles (C-track)	35 Mio. @ 25 °C
Traversing distance (C-track)	0,6 m @ 25 °C
Travel speed (C-track)	1,2 m/s @ 25 °C
No. of torsion cycles	3 Mio. 25 °C
Torsion stress	± 270 °/m @ 25 °C
Torsion speed	60 cycles/min 25 °C