

## B6 Hood, high profile, IP65

Single locking lever, top entry, M25

B6

Hood (high)

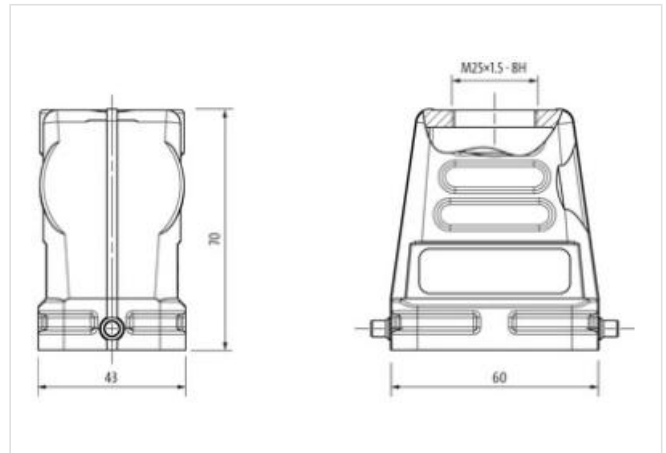
Single locking lever

IP65

Technical data will be only guaranteed with Murrelektronik components.

### [Link til produkt](#)

#### Illustrasjon



Produktet kan avvike fra bildet

#### Handelsinformasjon

ECLASS-6.0	27143424
ECLASS-6.1	27261203
ECLASS-7.0	27440202
ECLASS-8.0	27440202
ECLASS-9.0	27440202
ECLASS-10.1	27440202
ECLASS-11.1	27440202
ECLASS-12.0	27440202
ETIM-5.0	EC000437
GTIN	4048879644082
Pakkestørrelse	1
Tolltariffnummer	85389099

#### Installation

Cable outlet	straight
--------------	----------

#### Installation | Connection

Mounting set	M25
Mating cycles min.	500

#### Device protection | Electrical

Degree of protection (EN IEC 60529)	IP65
Additional condition protection degree	inserted, locked, with screw connection

#### Mechanical data

Housing type	Hood
--------------	------

#### Mechanical data | Material data

Coating housing	powder-coated
Coating locking	verzinkt
Material housing	Aluminum die casting
Locking material	Steel

**Mechanical data | Mounting data**

Size	B6
Height	70 mm
Width	43 mm
Depth	60 mm
Locking techniques	Single locking lever

**Environmental characteristics | Climatic**

Operating temperature min.	-40 °C
Operating temperature max.	100 °C
Climatic category (EN IEC 60068-1)	40/100/21