

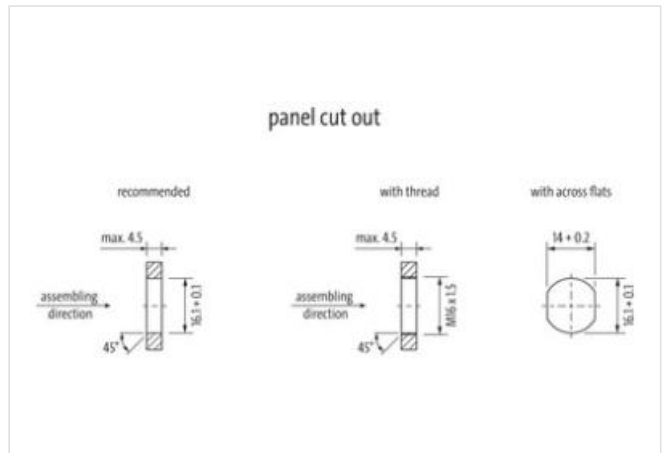
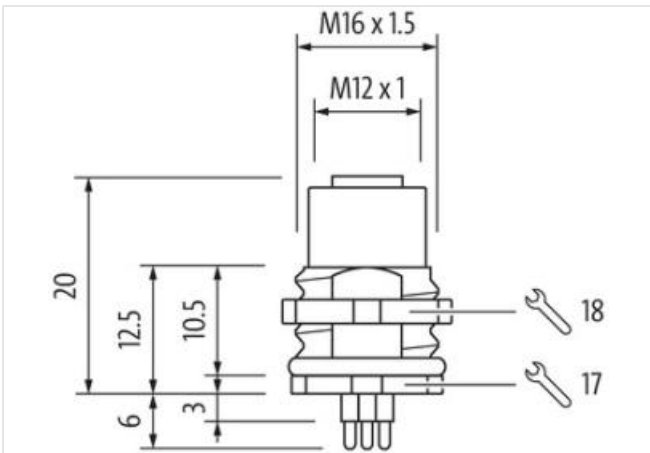
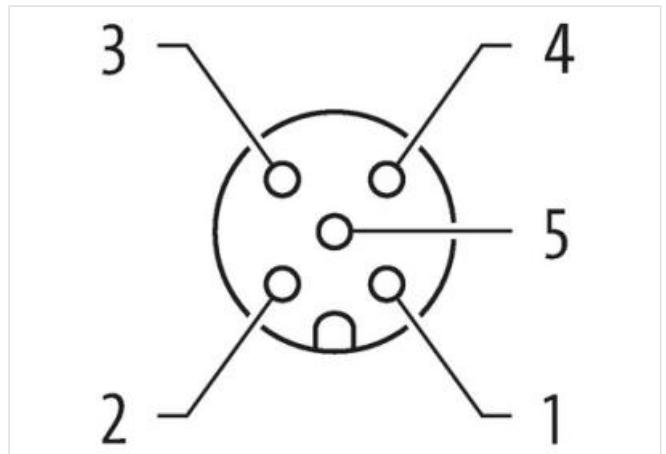
M12 female receptacle 0° A-cod. rear

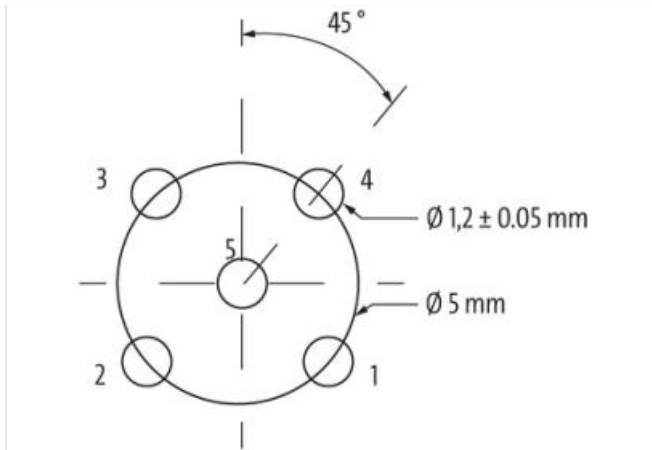
5-pol., PCB pin

PCB connectors
Female straight
M12, 5-pole
A-coded
THT-solder connection
Rear mounting

[Link til produkt](#)

Illustrasjon





Produktet kan avvike fra bildet



Side 1

Coating contact	gold plated
Family construction form	M12
Coding	A
Material contact	Copper alloy
No. of poles	5

Handelsinformasjon

ECLASS-6.0	27279220
ECLASS-6.1	27279220
ECLASS-7.0	27440103
ECLASS-8.0	27440103
ECLASS-9.0	27440109
ECLASS-10.1	27440109
ECLASS-11.1	27440109
ECLASS-12.0	27440109
ETIM-5.0	EC001855
GTIN	4048879914918
Pakkestørrelse	10
Tolltariffnummer	85366990

Electrical data | Supply

Operating voltage AC	60 V
Operating voltage DC	60 V
Current operating per contact max.	4 A

Installation | Connection

Connection information	THT-solder connection
Tightening torque	0,6 Nm
Mounting set	M12 x 1
Width across flats	SW17

Device protection | Electrical

Degree of protection (EN IEC 60529)	IP67
Additional condition protection degree	inserted, screwed
Pollution Degree	3

Opplysningene i dette databladet er utarbeidet med størst mulig omhu.
All informasjon gis uten ansvar for eventuelle feil og mangler. 26.06.2024

Insulation resistance min. 100 MΩ

Mechanical data | Material data

Coating locking nickel plated

Material housing Copper alloy

Material contact carrier PA66

Locking material Copper alloy

Mechanical data | Mounting data

Mounting method inserted, screwed, Shaking protection

Environmental characteristics | Climatic

Operating temperature min. -40 °C

Operating temperature max. 85 °C

Important installation notes

Note on strain relief Protect the connectors by suitable measures from mechanical loads, e.g. by the usage of cable ties.

Note on bending radius **Attention:** Observe the permissible bending radii when laying cables, as the IP protection class can be endangered by excessive bending forces.