

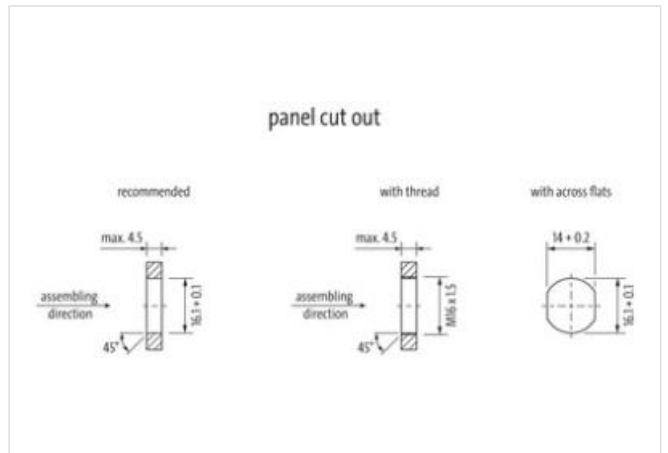
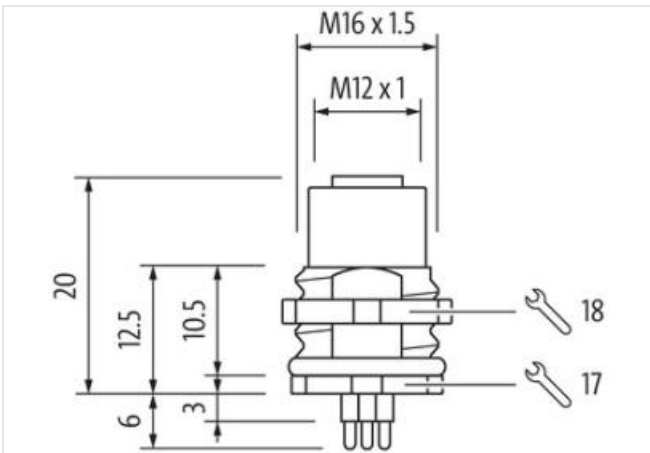
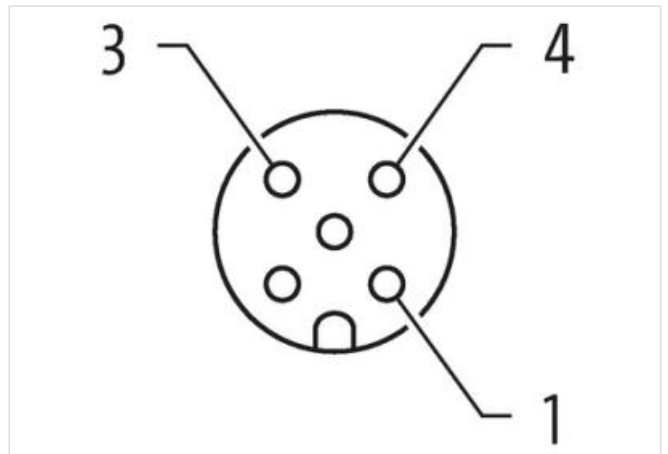
M12 female receptacle 0° A-cod. rear

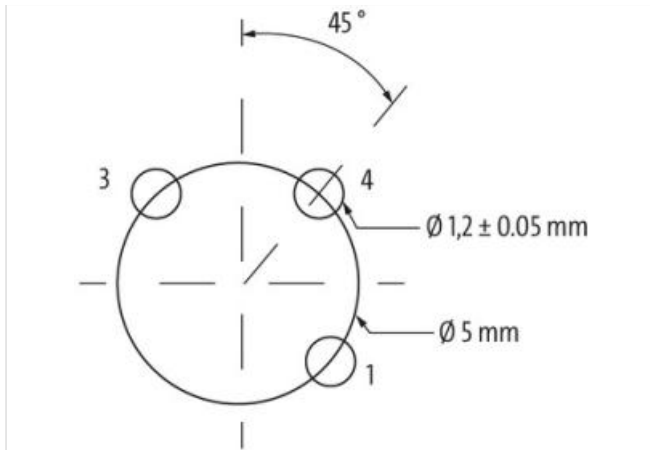
3-pol., PCB pin

PCB connectors
Female straight
M12, 3-pole
A-coded
THT-solder connection
Rear mounting

[Link til produkt](#)

Illustrasjon





Produktet kan avvike fra bildet



Side 1

Coating contact	gold plated
Family construction form	M12
Coding	A
Material contact	Copper alloy
No. of poles	3

Handelsinformasjon

ECLASS-6.0	27279220
ECLASS-7.0	27440103
ECLASS-8.0	27440103
ECLASS-9.0	27440103
ECLASS-10.1	27440109
ECLASS-11.1	27440109
ECLASS-12.0	27440109
ETIM-5.0	EC001855
GTIN	4048879914895
Pakkestørrelse	10
Tolltariffnummer	85366990

Electrical data | Supply

Operating voltage AC	250 V
Operating voltage DC	250 V
Current operating per contact max.	4 A

Installation | Connection

Connection information	THT-solder connection
Tightening torque	0,6 Nm
Mounting set	M12 x 1
Width across flats	SW17

Device protection | Electrical

Degree of protection (EN IEC 60529)	IP67
Additional condition protection degree	inserted, screwed
Pollution Degree	3
Insulation resistance min.	100 MΩ

Mechanical data | Material data

Opplysningene i dette databladet er utarbeidet med størst mulig omhu.
All informasjon gis uten ansvar for eventuelle feil og mangler. 26.06.2024

Coating locking	nickel plated
Material housing	Copper alloy
Material contact carrier	PA66
Locking material	Copper alloy

Mechanical data | Mounting data

Mounting method	inserted, screwed, Shaking protection
-----------------	---------------------------------------

Environmental characteristics | Climatic

Operating temperature min.	-40 °C
Operating temperature max.	85 °C

Important installation notes

Note on strain relief	Protect the connectors by suitable measures from mechanical loads, e.g. by the usage of cable ties.
Note on bending radius	Attention: Observe the permissible bending radii when laying cables, as the IP protection class can be endangered by excessive bending forces.