

**M12 Power male 0° T-cod. with cable**

PUR 4x1.5 bk UL/CSA+drag ch. 6.5m

Power

Male straight

M12, 4-pole

T-coded

with cable sleeves

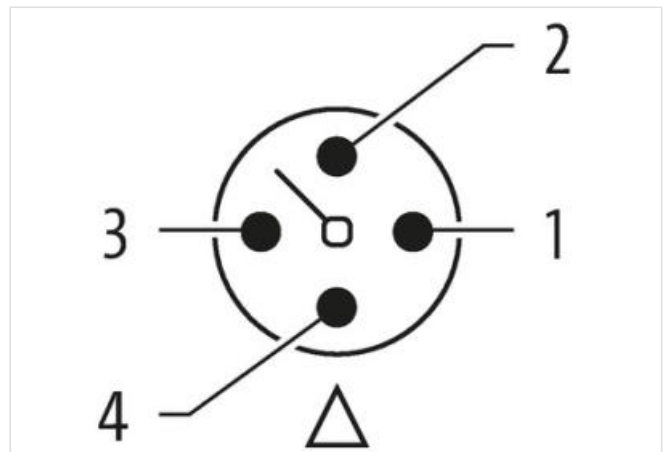
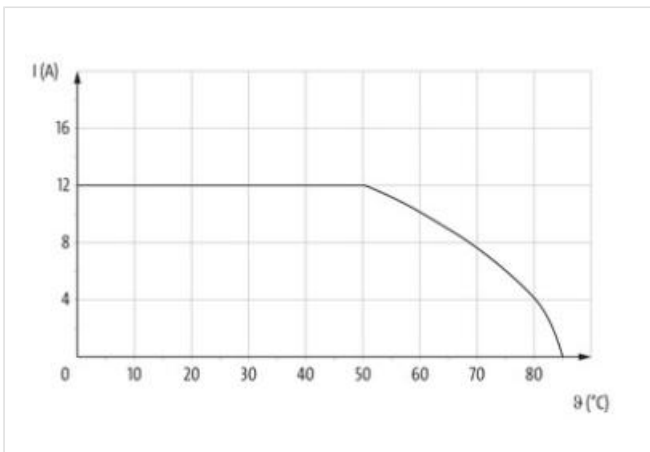
Plastic housings with good resistance against chemicals and oils.

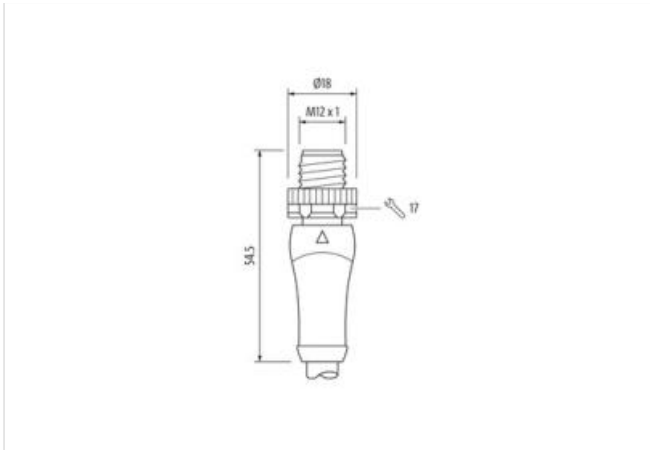
The resistance to aggressive media should be individually tested for your application. Further details on request.

Further cable lengths on request.

[Link til produkt](#)

Illustrasjon





Produktet kan avvike fra bildet



Cable length 6,5 m

**Side 1**

Tightening torque 0,6 Nm  
 Mounting method inserted, screwed  
 Coating contact gold plated  
 Family construction form M12P  
 Thread M12 x 1  
 suitable for corrugated tube (internal Ø) 12 mm  
 Coding T  
 Material contact Copper alloy  
 No. of poles 4

**Side 2**

Stripping length (jacket) 100 mm

**Handelsinformasjon**

ECLASS-6.0 27279218  
 ECLASS-6.1 27279218  
 ECLASS-7.0 27279218  
 ECLASS-8.0 27279218  
 ECLASS-9.0 27060327  
 ECLASS-10.1 27060311  
 ECLASS-11.1 27060311  
 ECLASS-12.0 27060327  
 ETIM-5.0 EC001855  
 GTIN 4048879864138  
 Pakkestørrelse 1  
 Tolltariffnummer 85444290

**Electrical data | Supply**

Operating voltage DC max. 63 V  
 Current operating per contact max. 12 A

**Diagnostics**

Status indication LED no

**Installation | Connection**

Opplysningene i dette databladet er utarbeidet med størst mulig omhu.  
 All informasjon gis uten ansvar for eventuelle feil og mangler. 24.06.2024

|   |   |
|---|---|
| Stripping length (jacket)                       | 100 mm  |
| Width across flats                              | SW17  |
| <b>Device protection   Electrical</b>           |   |
| Degree of protection (EN IEC 60529)             | IP65, IP67  |
| Additional condition protection degree          | inserted, screwed   |
| Pollution Degree                                | 3   |
| Rated surge voltage                             | 1,5 kV  |
| Material group (IEC 60664-1)                    | I   |
| <b>Mechanical data   Material data</b>          |   |
| Coating locking                                 | Nickeled  |
| Material housing                                | PUR   |
| Locking material                                | Zinc die-casting  |
| <b>Mechanical data   Mounting data</b>          |   |
| Mounting method                                 | inserted, screwed, Shaking protection   |
| <b>Environmental characteristics   Climatic</b> |   |
| Operating temperature min.                      | -25 °C  |
| Operating temperature max.                      | 85 °C   |
| Additional condition temperature range          | depending on cable quality  |
| <b>Important installation notes</b>             |   |
| Note on strain relief                           | Protect the connectors by suitable measures from mechanical loads, e.g. by the usage of cable ties.   |
| Note on bending radius                          | <b>Attention:</b> Observe the permissible bending radii when laying cables, as the IP protection class can be endangered by excessive bending forces. |
| <b>Conformity</b>                               |   |
| Product standard                                | IEC 61076-2-111   |
| <b>Installation   Cable</b>                     |   |
| wire arrangement                                | black 4, blue 3, white 2, brown 1   |
| Cable identification                            | P07   |
| Cable Type                                      | 3   |
| Printing color of wire insulation               | black (white isolation), white (isolation blue), white (isolation brown), white (isolation black)   |
| Jacket Color                                    | black   |
| Type of Certificate                             | cURus   |
| Amount stranding                                | 1   |
| Stranding                                       | 4 wires twisted   |
| wire arrangement                                | black 4, blue 3, white 2, brown 1   |
| Cable weight                                    | 114,4 g/m   |
| Material jacket                                 | PUR   |
| Shore hardness jacket                           | 90 ± 5 Shore A  |
| Freedom from ingredients (jacket)               | lead-free, cadmium-free, CFC-free, halogen-free, silicone-free  |
| Outer-diameter (jacket)                         | 7,2 mm  |
| Tolerance outer diameter (sheath)               | ± 5 %   |
| Material wire insulation                        | PP  |
| Amount wires                                    | 4   |
| Outer diameter insulation                       | 2,3 mm  |
| Outer diameter tolerance core insulation        | ± 5 %   |
| Shore hardness wire insulation                  | 60 ± 5 Shore D  |
| Ingredient freeness wire insulation             | lead-free, cadmium-free, CFC-free, halogen-free, silicone-free  |
| Printing color of wire insulation               | black (white isolation), white (isolation blue), white (isolation brown), white (isolation black)   |
| Amount strands (wire)                           | 84  |
| Diameter of single wires                        | 0,15 mm   |
| Conductor crosssection (wire)                   | 1,5 mm <sup>2</sup>   |
| Material conductor wire                         | Stranded copper wire, bare  |
| Conductor type (wire)                           | strand class 6  |

|   |  |
|---|--|
| Nominal voltage AC max.                           | 1000 V   |
| Current load capacity (standard)                  | to DIN VDE 0298-4                                    |
| Current load capacity min. wire                   | 14,4 A   |
| Electrical resistance line constant wire          | 13,3 $\Omega$ /km @ 20 °C                            |
| AC withstand voltage (wire - wire)                | 10 kV @ 60 s   |
| Power frequency withstand voltage (wire - jacket) | 10 kV @ 60 s   |
| Min. operating temperature (static)               | -50 °C   |
| Max. operating temperature (fixed)                | 80 °C / 90 °C @ 10000 h Operation                    |
| Operating temperature min. (dynamic)              | -25 °C   |
| Operating temperature max. (dynamic)              | 80 °C / 90 °C @ 10000 h Operation                    |
| UV resistance                                     | DIN EN ISO 4892-2 A                                  |
| Flame resistance                                  | UL 1581 § 1090   UL 1581 § 1100 FT2   IEC 60332-2-2  |
| chemical resistance                               | Good, application-related testing                    |
| Gasoline resistance                               | Good, application-related testing                    |
| Oil resistance                                    | Good, application-related testing   DIN EN 60811-404 |
| Bending radius (fixed)                            | 5 x Outer diameter                                   |
| Bending radius (dynamic)                          | 10 x Outer diameter                                  |
| No. of bending cycles (C-track)                   | 5 Mio. @ 25 °C                                       |
| Traversing distance (C-track)                     | 5 m @ 25 °C  |
| Travel speed (C-track)                            | 3,3 m/s @ 25 °C                                      |
| No. of torsion cycles                             | 2 Mio. 25 °C   |
| Torsion stress                                    | $\pm$ 180 °/m  |
| Torsion speed                                     | 35 cycles/min  |