

**M8 male 0° A-cod. / MSUD valve plug CI-9.4mm small**

PUR 3x0.34 ye UL/CSA 2m

**⚠ NOTICE ⚠**

**PRODUCT IS DISCONTINUED. PLEASE HAVE A LOOK AT THE ALTERNATIVE PRODUCTS.**

**MSUD**

Form CI (9.4 mm) – M12, male straight

24 V AC ±20% / DC ±25%

2-pole used

LED and suppression

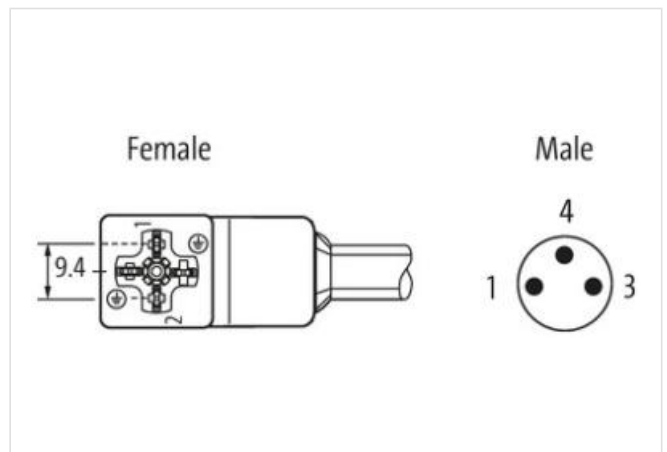
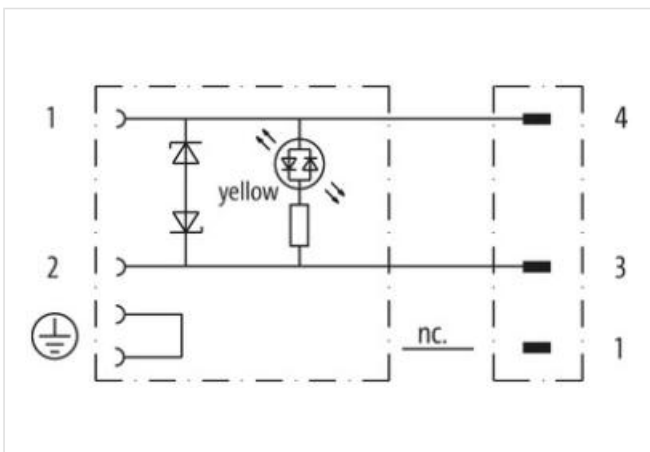
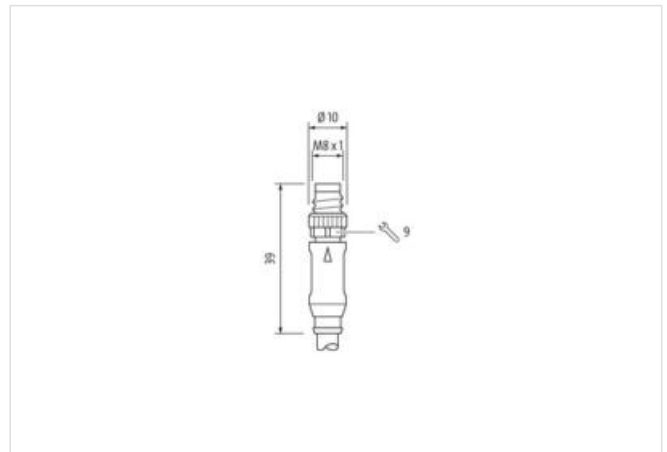
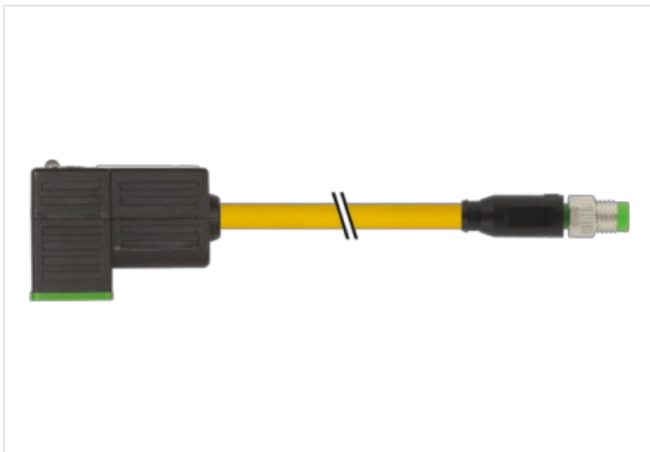
Further cable lengths on request.

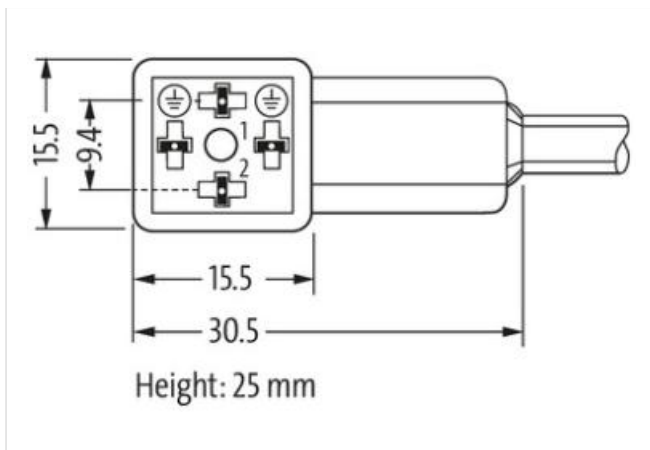
Plastic housings with good resistance against chemicals and oils.

The resistance to aggressive media should be individually tested for your application. Further details on request.

[Link til produkt](#)

**Illustrasjon**





Produktet kan avvike fra bildet

|                                    |               |
|------------------------------------|---------------|
| Cable length                       | 2 m           |
| <b>Side 1</b>                      |               |
| Tightening torque                  | 0,4 Nm        |
| Family construction form           | M8            |
| Thread                             | M3            |
| Material                           | PUR           |
| Width across flats                 | SW9           |
| <b>Side 2</b>                      |               |
| Tightening torque                  | 0,4 Nm        |
| Thread                             | M8 x 1        |
| Material                           | PBT           |
| <b>Handelsinformasjon</b>          |               |
| ECLASS-6.0                         | 27279218      |
| ECLASS-6.1                         | 27279218      |
| ECLASS-7.0                         | 27279218      |
| ECLASS-8.0                         | 27279218      |
| ECLASS-9.0                         | 27060312      |
| ECLASS-10.1                        | 27060312      |
| ECLASS-11.1                        | 27060312      |
| ECLASS-12.0                        | 27060312      |
| ETIM-5.0                           | EC001855      |
| GTIN                               | 4048879453172 |
| Pakkestørrelse                     | 1             |
| Tolltariffnummer                   | 85444290      |
| <b>Electrical data</b>             |               |
| Capacity CX                        | 20 ms         |
| <b>Electrical data   Supply</b>    |               |
| Operating voltage AC               | 24 V          |
| Operating voltage AC min.          | 19,2 V        |
| Operating voltage AC max.          | 28,8 V        |
| Operating voltage DC               | 24 V          |
| Operating voltage DC min.          | 18 V          |
| Operating voltage DC max.          | 30 V          |
| Cut-off peak voltage max.          | 55 V          |
| Current operating per contact max. | 4 A           |
| <b>Diagnostics</b>                 |               |

Opplysningene i dette databladet er utarbeidet med størst mulig omhu.  
All informasjon gis uten ansvar for eventuelle feil og mangler. 22.06.2024

Status indication LED yellow

#### Device protection | Electrical

|  |                         |
|--|-------------------------|
| Degree of protection (EN IEC 60529)    | IP65, IP67, IP68, IP66K |
| Additional condition protection degree | inserted, screwed       |
| Pollution Degree                       | 3                       |
| Rated surge voltage                    | 0,8 kV                  |
| Material group (IEC 60664-1)           | I                       |
| Additional suppressor                  | Diode, Z-Diode          |

#### Mechanical data | Material data

|                  |                  |
|------------------|------------------|
| Coating locking  | Nickeled         |
| Color housing    | black            |
| Material housing | Plastic          |
| Locking material | Zinc die-casting |

#### Mechanical data | Mounting data

|                 |                   |
|-----------------|-------------------|
| Mounting method | inserted, screwed |
|-----------------|-------------------|

#### Environmental characteristics | Climatic

|  |                            |
|--|----------------------------|
| Operating temperature min.             | -25 °C                     |
| Operating temperature max.             | 85 °C                      |
| Additional condition temperature range | depending on cable quality |

#### Cable

|                                   |  |
|-----------------------------------|--|
| Cable identification              | 023  |
| Cable Type                        | 2 (PUR/PVC)  |
| Approval (cable)                  | UL (AWM-Style 20549/1731), CSA; CE conform   |
| Cable weight [g/m]                | 35,97 g  |
| Material wire                     | Cu wire, bare  |
| Resistor (core)                   | max. 57 Ω/km (20 °C)   |
| Single wire Ø (core)              | 0.1 mm   |
| Construction (core)               | 42× 0.1 mm (multi-strand wire class 6)   |
| Diameter (core)                   | 3× 0.34 mm <sup>2</sup>  |
| AWG                               | similar to AWG 22  |
| Material wire isolation           | PVC  |
| Material property wire insulation | CFC-, cadmium-, silicone- and lead-free  |
| Shore hardness wire isolation     | 43 ±5 D  |
| Wire-Ø incl. isolation            | 1.25 mm ±5%  |
| Color/numbering of wires          | br, bk, bl   |
| Stranding combination             | 3 wires twisted  |
| Shield                            | no   |
| Material jacket                   | PUR/PVC  |
| Material property (jacket)        | CFC-, halogen-, cadmium-, silicone- and lead-free, matt, low-adhesion, machine easy to process, abrasion-resistant, hydrolysis and microbial resistant |
| Shore hardness jacket             | 80 ±5 A (PVC-under jacket); 85 ±5 A (PUR-jacket)   |
| Outer-Ø (jacket)                  | 4.3 mm ±5%   |
| Color jacket                      | yellow   |
| chemical resistance               | good resistance to oil, gasoline and chemicals   |
| Nominal voltage                   | UL 300 V AC  |
| Test voltage                      | 2000 V AC  |
| Current load capacity             | to DIN VDE 0298-4  |
| Temperature range (fixed)         | -30...+80 °C   |
| Temperature range (mobile)        | -5...+80 °C  |
| Bending radius (fixed)            | 10× outer Ø  |
| Bending radius (dynamic)          | 15× outer Ø  |
| No. of bending cycles (C-track)   | max. 2 Mio. (25 °C)  |

---

|                        |                         |
|------------------------|-------------------------|
| Travel speed (C-track) | max. 3.3 m/s            |
| Acceleration (C-track) | max. 5 m/s <sup>2</sup> |

---