

**M12 male 0° / M12 female 90° B-cod. shielded**

PUR 1x2xAWG24 shielded vt UL/CSA+drag ch. 3.5m

## PROFIBUS

Male straight – female 90°

M12 – M12, 2-pole

B-coded

shielded

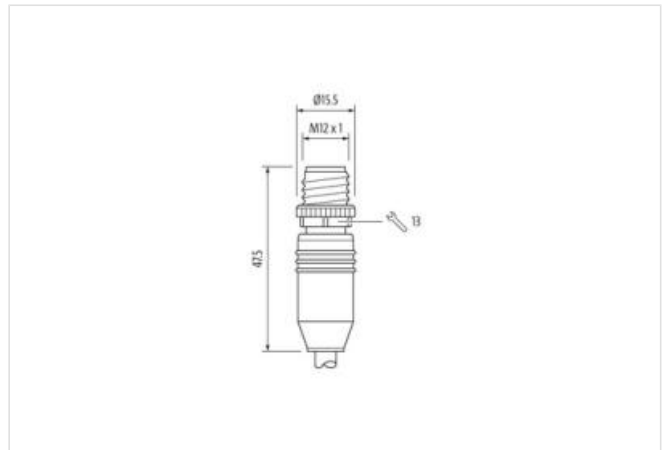
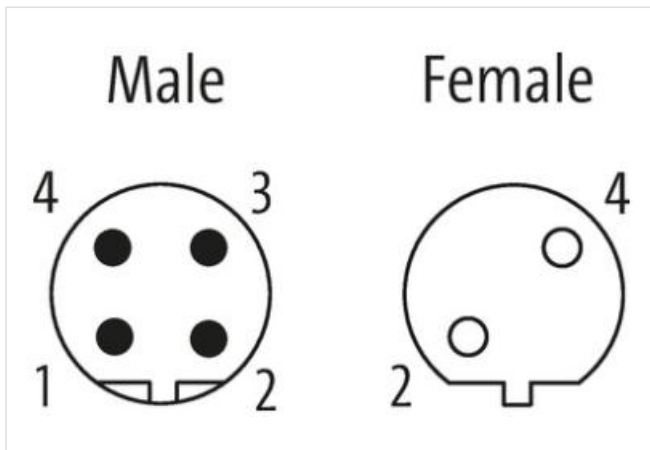
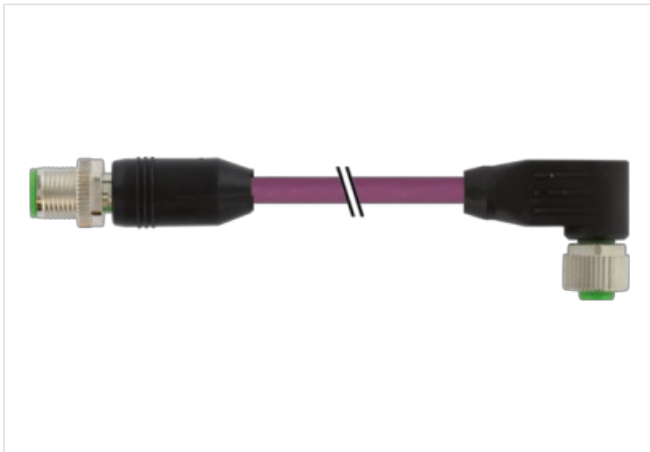
Plastic housings with good resistance against chemicals and oils.

The resistance to aggressive media should be individually tested for your application. Further details on request.

Further cable lengths on request.

[Link to Product](#)

## Illustration





Product may differ from Image



Cable length 3,5 m

**Side 1**

|                                     |         |
|-------------------------------------|---------|
| Tightening torque                   | 0,6 Nm  |
| Thread                              | M12 x 1 |
| Degree of protection (EN IEC 60529) | IP67    |

**Side 2**

|                   |         |
|-------------------|---------|
| Tightening torque | 0,6 Nm  |
| Thread            | M12 x 1 |

**Commercial data**

|                       |               |
|-----------------------|---------------|
| ECLASS-6.0            | 27061801      |
| ECLASS-6.1            | 27060307      |
| ECLASS-7.0            | 27060307      |
| ECLASS-8.0            | 27060307      |
| ECLASS-9.0            | 27060307      |
| ECLASS-10.1           | 27060307      |
| ECLASS-11.1           | 27060307      |
| ECLASS-12.0           | 27060307      |
| ETIM-5.0              | EC001855      |
| customs tariff number | 85444290      |
| GTIN                  | 4065909073032 |
| Packaging unit        | 1             |

**Electrical data | Supply**

|                                    |      |
|------------------------------------|------|
| Operating voltage AC max.          | 60 V |
| Operating voltage DC max.          | 60 V |
| Operating voltage AC (UL-listed)   | 30 V |
| Operating voltage DC (UL-listed)   | 30 V |
| Current operating per contact max. | 4 A  |

**Device protection | Electrical**

|  |                   |
|--|-------------------|
| Degree of protection (ISO 20653:2013)  | IP66K             |
| Additional condition protection degree | inserted, screwed |
| Rated surge voltage                    | 1,5 kV            |

**Mechanical data | Material data**

The information in this Product-PDF has been compiled with the utmost care.  
Liability for the correctness completeness and topicality of the information is restricted to gross negligence. Version: 2024-06-26

|                  |                  |
|------------------|------------------|
| Coating locking  | Nickeled         |
| Locking material | Zinc die-casting |

#### Mechanical data | Mounting data

|                 |                                       |
|-----------------|---------------------------------------|
| Mounting method | inserted, screwed, Shaking protection |
|-----------------|---------------------------------------|

#### Important installation notes

|                        |   |
|------------------------|---|
| Note on strain relief  | Protect the connectors by suitable measures from mechanical loads, e.g. by the usage of cable ties.   |
| Note on bending radius | <b>Attention:</b> Observe the permissible bending radii when laying cables, as the IP protection class can be endangered by excessive bending forces. |

#### Installation | Cable

|   |  |
|---|--|
| wire arrangement                                  | red, green   |
| Cable identification                              | 841  |
| Jacket Color                                      | violet   |
| Type of Certificate                               | cURus  |
| Amount stranding                                  | 1  |
| Stranding   | 2 wires with 2 Filler twisted                                  |
| Cable shielding (type)                            | copper braid, tinned   |
| Cable shielding (coverage)                        | 85 %   |
| Banding   | Fleece, Foil   |
| Filler  | yes  |
| wire arrangement                                  | red, green   |
| Cable weight                                      | 70,4 g/m   |
| Material jacket                                   | PUR  |
| Shore hardness jacket                             | 87 ± 3 Shore A   |
| Freedom from ingredients (jacket)                 | lead-free, cadmium-free, CFC-free, halogen-free, silicone-free |
| Outer-diameter (jacket)                           | 7,7 mm   |
| Tolerance outer diameter (sheath)                 | ± 5 %  |
| Amount wires                                      | 2  |
| Outer diameter insulation                         | 2,55 mm  |
| Outer diameter tolerance core insulation          | ± 5 %  |
| Shore hardness wire insulation                    | 60 ± 3 Shore D   |
| Ingredient freeness wire insulation               | lead-free, cadmium-free, CFC-free, halogen-free                |
| Amount strands (wire)                             | 19   |
| Diameter of single wires                          | 24 AWG   |
| Conductor crosssection (wire)                     | 24 AWG   |
| Material conductor wire                           | Stranded copper wire, bare                                     |
| Nominal voltage AC max.                           | 300 V  |
| Current load capacity (standard)                  | to DIN VDE 0298-4  |
| Current load capacity min. wire                   | 4,5 A  |
| Electrical resistance line constant wire          | 72,2 Ω/km @ 20 °C  |
| AC withstand voltage (wire - wire)                | 2 kV @ 60 s  |
| Electric capacitance                              | 29000 pF/km  |
| Power frequency withstand voltage (wire - jacket) | 2 kV @ 60 s  |
| AC withstand voltage (wire - shield)              | 2 kV @ 60 s  |
| Min. operating temperature (static)               | -40 °C   |
| Max. operating temperature (fixed)                | 80 °C  |
| Operating temperature min. (dynamic)              | -20 °C   |
| Operating temperature max. (dynamic)              | 70 °C  |
| Flame resistance                                  | IEC 60332-2-2   UL 1581 § 1100 FT2   UL 1581 § 1090            |
| chemical resistance                               | Good, application-related testing                              |
| Gasoline resistance                               | Good, application-related testing                              |
| Oil resistance                                    | Good, application-related testing   DIN EN 60811-404           |
| Bending radius (fixed)                            | 7,5 x Outer diameter   |
| Bending radius (dynamic)                          | 12 x Outer diameter  |

The information in this Product-PDF has been compiled with the utmost care.

Liability for the correctness completeness and topicality of the information is restricted to gross negligence. Version: 2024-06-26

Murrelektronik A.S. | Christian August Thorings vei 7 | 4033 Stavanger | Fon +47 32 1790-80 | Fax +47 32 1790-90 | shop@murrelektronik.no | shop.murrelektronik.no

|                                 |                          |
|---------------------------------|--------------------------|
| No. of bending cycles (C-track) | 5 Mio. @ 25 °C           |
| Traversing distance (C-track)   | 5 m @ 25 °C   horizontal |
| Travel speed (C-track)          | 3 m/s @ 25 °C            |