

M12 male 0° A-cod. / MSUD valve plug A-18mm

PUR 5x0.34 bk UL/CSA+robot+drag ch. 3m

MSUD

Form A (18 mm) – M12, male straight

24 V DC ±25%

LED (yellow/green)

for pressure switches

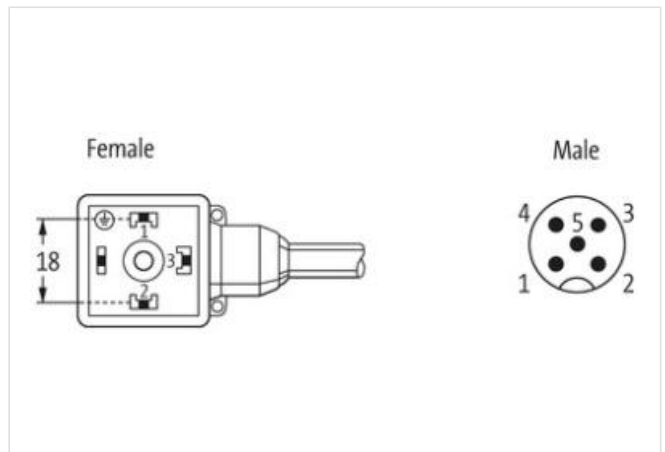
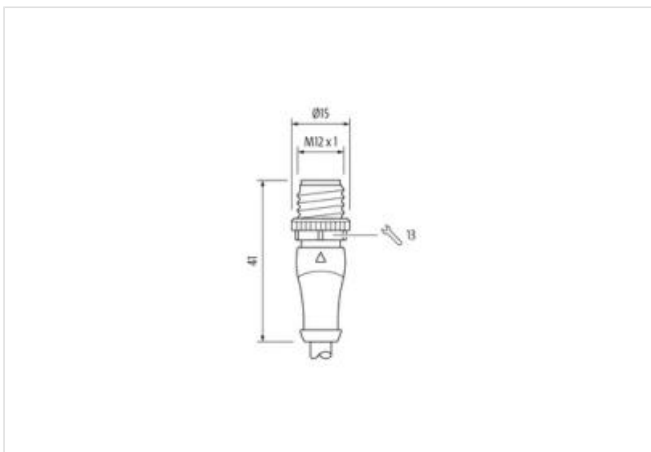
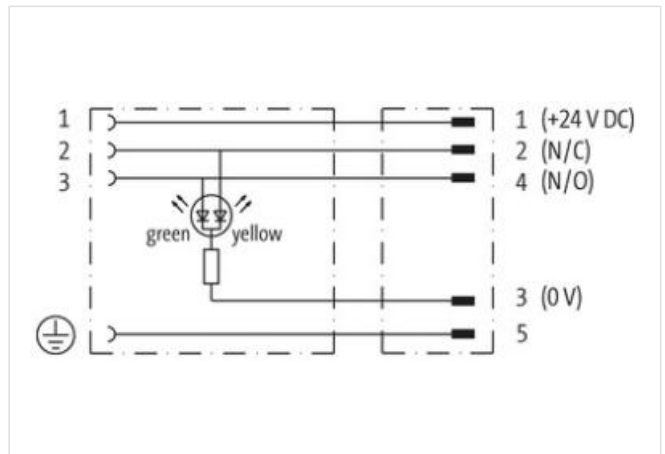
Further cable lengths on request.

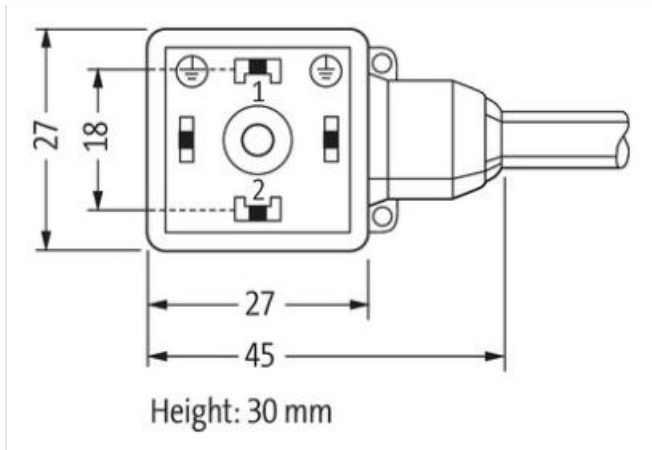
Plastic housings with good resistance against chemicals and oils.

The resistance to aggressive media should be individually tested for your application. Further details on request.

[Link til produkt](#)

Illustrasjon





Produktet kan avvike fra bildet



Cable length 3 m

Side 1

Tightening torque 0,4 Nm
 Family construction form MSUD
 Thread M3
 Material PUR
 Degree of protection (EN IEC 60529) IP67

Side 2

Tightening torque 0,6 Nm
 Family construction form M12
 Thread M12 x 1
 suitable for corrugated tube (internal Ø) 10 mm
 Material PBT
 Width across flats SW13
 Degree of protection (EN IEC 60529) IP67

Handelsinformasjon

ECLASS-6.0 27279218
 ECLASS-7.0 27279218
 ECLASS-8.0 27279218
 ECLASS-9.0 27060311
 ECLASS-10.1 27060312
 ECLASS-11.1 27060312
 ECLASS-12.0 27060312
 ETIM-5.0 EC001855
 GTIN 4048879355339
 Pakkestørrelse 1
 Tolltariffnummer 85444290

Electrical data | Supply

Operating voltage DC 24 V
 Operating voltage DC min. 18 V
 Operating voltage DC max. 30 V
 Current operating per contact max. 4 A

| | |
|--------------------------|-------|
| Current consumption max. | 15 mA |
|--------------------------|-------|

Diagnostics

| | |
|-----------------------|---------------|
| Status indication LED | green, yellow |
|-----------------------|---------------|

Device protection | Electrical

| | |
|--|-------------------|
| Additional condition protection degree | inserted, screwed |
|--|-------------------|

| | |
|------------------|---|
| Pollution Degree | 3 |
|------------------|---|

| | |
|---------------------|--------|
| Rated surge voltage | 0,8 kV |
|---------------------|--------|

| | |
|------------------------------|---|
| Material group (IEC 60664-1) | I |
|------------------------------|---|

Mechanical data | Material data

| | |
|-----------------|-------------------|
| Coating locking | safe-cover coated |
|-----------------|-------------------|

| | |
|---------------|-------|
| Color housing | black |
|---------------|-------|

| | |
|-----------------|-----|
| Material gasket | PUR |
|-----------------|-----|

| | |
|------------------|---------|
| Material housing | Plastic |
|------------------|---------|

| | |
|------------------|------------------|
| Locking material | Zinc die-casting |
|------------------|------------------|

Mechanical data | Mounting data

| | |
|-----------------|-------------------|
| Mounting method | inserted, screwed |
|-----------------|-------------------|

Environmental characteristics | Climatic

| | |
|----------------------------|--------|
| Operating temperature min. | -25 °C |
|----------------------------|--------|

| | |
|----------------------------|-------|
| Operating temperature max. | 85 °C |
|----------------------------|-------|

| | |
|--|----------------------------|
| Additional condition temperature range | depending on cable quality |
|--|----------------------------|

Important installation notes

| | |
|-----------------------|---|
| Note on strain relief | Protect the connectors by suitable measures from mechanical loads, e.g. by the usage of cable ties. |
|-----------------------|---|

| | |
|------------------------|---|
| Note on bending radius | Attention: Observe the permissible bending radii when laying cables, as the IP protection class can be endangered by excessive bending forces. |
|------------------------|---|

Installation | Cable

| | |
|------------------|---|
| wire arrangement | brown, black, blue, white, green-yellow |
|------------------|---|

| | |
|----------------------|-----|
| Cable identification | 655 |
|----------------------|-----|

| | |
|------------|---|
| Cable Type | 5 |
|------------|---|

| | |
|--------------|-------|
| Jacket Color | black |
|--------------|-------|

| | |
|---------------------|-------|
| Type of Certificate | cURus |
|---------------------|-------|

| | |
|------------------|---|
| Amount stranding | 1 |
|------------------|---|

| | |
|-----------|------------------------------------|
| Stranding | 5 wires around Core filler twisted |
|-----------|------------------------------------|

| | |
|--------|-----|
| Filler | yes |
|--------|-----|

| | |
|------------------|---|
| wire arrangement | brown, black, blue, white, green-yellow |
|------------------|---|

| | |
|--------------|----------|
| Cable weight | 41,8 g/m |
|--------------|----------|

| | |
|-----------------|-----|
| Material jacket | PUR |
|-----------------|-----|

| | |
|-----------------------|----------------|
| Shore hardness jacket | 58 ± 3 Shore D |
|-----------------------|----------------|

| | |
|-----------------------------------|--|
| Freedom from ingredients (jacket) | lead-free, cadmium-free, CFC-free, halogen-free, silicone-free |
|-----------------------------------|--|

| | |
|-------------------------|------|
| Outer-diameter (jacket) | 5 mm |
|-------------------------|------|

| | |
|-----------------------------------|-------|
| Tolerance outer diameter (sheath) | ± 5 % |
|-----------------------------------|-------|

| | |
|--------------------------|----|
| Material wire insulation | PP |
|--------------------------|----|

| | |
|--------------|---|
| Amount wires | 5 |
|--------------|---|

| | |
|---------------------------|---------|
| Outer diameter insulation | 1,25 mm |
|---------------------------|---------|

| | |
|--|-------|
| Outer diameter tolerance core insulation | ± 5 % |
|--|-------|

| | |
|--------------------------------|----------------|
| Shore hardness wire insulation | 74 ± 3 Shore D |
|--------------------------------|----------------|

| | |
|-------------------------------------|--|
| Ingredient freeness wire insulation | lead-free, cadmium-free, CFC-free, halogen-free, silicone-free |
|-------------------------------------|--|

| | |
|-----------------------|----|
| Amount strands (wire) | 42 |
|-----------------------|----|

| | |
|--------------------------|--------|
| Diameter of single wires | 0,1 mm |
|--------------------------|--------|

| | |
|-------------------------------|----------------------|
| Conductor crosssection (wire) | 0,34 mm ² |
|-------------------------------|----------------------|

| | |
|-------------------------|----------------------------|
| Material conductor wire | Stranded copper wire, bare |
|-------------------------|----------------------------|

| | |
|-----------------------|----------------|
| Conductor type (wire) | strand class 6 |
|-----------------------|----------------|

| | |
|-------------------------|-------|
| Nominal voltage AC max. | 300 V |
|-------------------------|-------|

| | |
|---|--|
| Current load capacity (standard) | to DIN VDE 0298-4 |
| Current load capacity min. wire | 4,5 A |
| Electrical resistance line constant wire | 60 Ω /km @ 20 °C |
| AC withstand voltage (wire - wire) | 2,5 kV @ 60 s |
| Power frequency withstand voltage (wire - jacket) | 2,5 kV @ 60 s |
| Min. operating temperature (static) | -40 °C |
| Max. operating temperature (fixed) | 80 °C / 90 °C @ 10000 h Operation |
| Operating temperature min. (dynamic) | -25 °C |
| Operating temperature max. (dynamic) | 80 °C / 90 °C @ 10000 h Operation |
| UV resistance | DIN EN ISO 4892-2 A |
| Flame resistance | IEC 60332-2-2 UL 1581 § 1100 FT2 UL 1581 § 1090 |
| chemical resistance | Good, application-related testing |
| Gasoline resistance | Good, application-related testing |
| Oil resistance | Good, application-related testing DIN EN 60811-404 |
| Bending radius (fixed) | 5 x Outer diameter |
| Bending radius (dynamic) | 10 x Outer diameter |
| No. of bending cycles (C-track) | 10 Mio. @ 25 °C |
| Traversing distance (C-track) | 5 m @ 25 °C horizontal |
| Travel speed (C-track) | 3,3 m/s @ 25 °C |
| No. of torsion cycles | 1 Mio. |
| Torsion stress | \pm 360 °/m |
| Torsion speed | 35 cycles/min |