

**M12 female 0° A-cod. with cable**

PUR 5x0.34 ye UL/CSA 18m

**⚠ NOTICE ⚠**

**PRODUCT IS DISCONTINUED. PLEASE HAVE A LOOK AT THE ALTERNATIVE PRODUCTS.**

Female straight

M12, 5-pole

A-coded

Art-No. 7005 - M12 Lite - (plastic hexagonal screw) on request

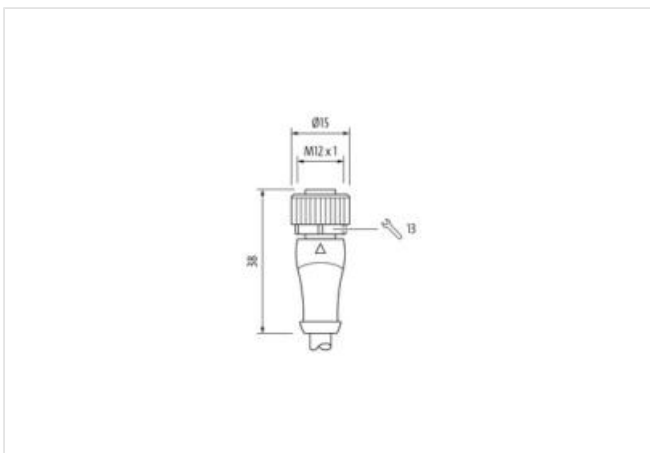
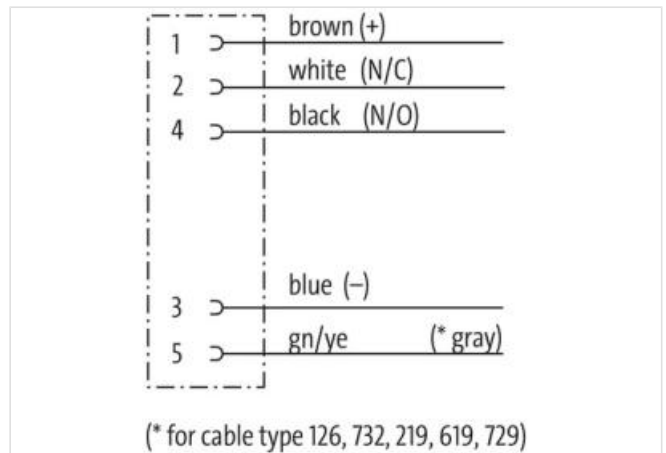
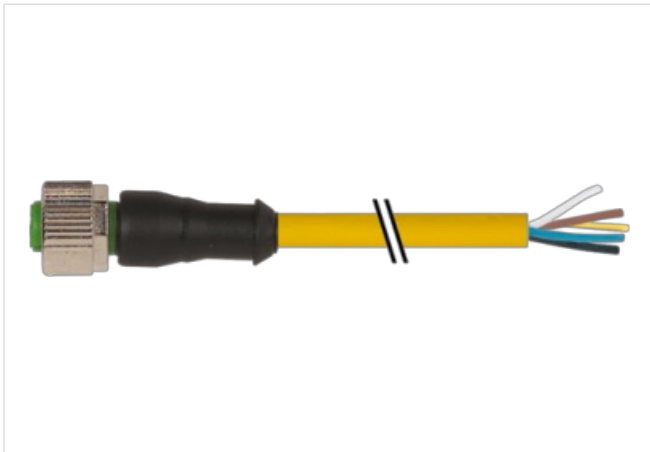
Plastic housings with good resistance against chemicals and oils.

The resistance to aggressive media should be individually tested for your application. Further details on request.

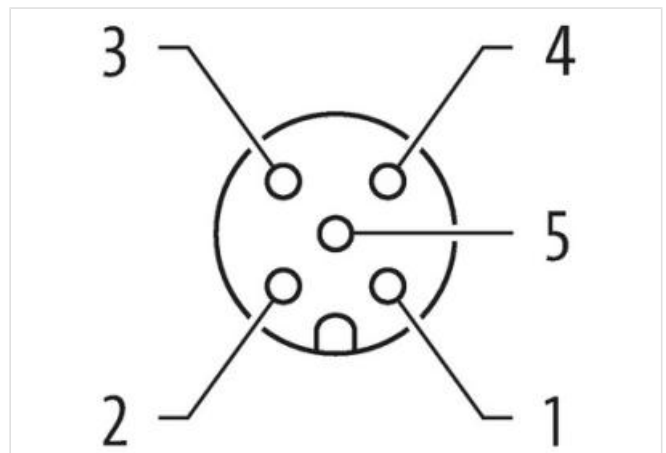
Further cable lengths on request.

[Link til produkt](#)

**Illustrasjon**



Produktet kan avvike fra bildet



Cable length 18 m

**Side 1**

Tightening torque	0,6 Nm
Mounting method	inserted, screwed
Coating contact	gold plated
Family construction form	M12
Thread	M12 x 1
suitable for corrugated tube (internal Ø)	10 mm
Coding	A
Material contact	Copper alloy
Material	PUR
No. of poles	5
Width across flats	SW13
Degree of protection (EN IEC 60529)	IP65, IP66K, IP67

**Side 2**

Stripping length (jacket)	20 mm
Coating contact	gold plated

**Handelsinformasjon**

ECLASS-6.0	27279218
ECLASS-6.1	27279218
ECLASS-7.0	27279218
ECLASS-8.0	27279218
ECLASS-9.0	27060311
ECLASS-10.1	27060311
ECLASS-11.1	27060311
ECLASS-12.0	27060311
ETIM-5.0	EC001855
GTIN	4048879487788
Pakkestørrelse	1
Tolltariffnummer	85444290

**Electrical data | Supply**

Operating voltage AC max.	125 V
Operating voltage DC max.	125 V
Operating voltage AC (UL-listed)	30 V
Operating voltage DC (UL-listed)	30 V
Current operating per contact max.	4 A

**Diagnostics**

Status indication LED	no
-----------------------	----

**Installation | Connection**

Stripping length (jacket)	20 mm
Mounting set	M12 x 1

**Device protection | Electrical**

Additional condition protection degree	inserted, screwed
Pollution Degree	3
Rated surge voltage	1,5 kV
Material group (IEC 60664-1)	I

**Mechanical data | Material data**

Coating locking	Nickeled
Coating of fitting	nickel plated
Material gasket	FKM
Locking material	Zinc die-casting

Material screw connection                      Zinc die-casting

#### Mechanical data | Mounting data

Mounting method                                  inserted, screwed, Shaking protection

#### Environmental characteristics | Climatic

Operating temperature min.                      -25 °C

Operating temperature max.                      85 °C

Additional condition temperature range        depending on cable quality

#### Conformity

Product standard                                  DIN EN 61076-2-101 (M12)

#### Installation | Cable

Cable identification                                834

Jacket Color                                         blue

Type of Certificate                                cURus

Amount stranding                                 1

Stranding    2 wires twisted

Amount stranding (type 2)                      1

Stranding (type 2)                                2 Stranded joints twisted

Cable shielding (type)                            copper braid, tinned

Cable shielding (coverage)                      65 %

Banding     Foil

Drain wire (cross-section)                      22 AWG

wire arrangement                                (white, blue), (black, red)

Cable weight                                      63,12 g/m

Material jacket                                    PUR

Shore hardness jacket                            90 ± 5 Shore A

Freedom from ingredients (jacket)            lead-free, cadmium-free, CFC-free, halogen-free, silicone-free

Outer-diameter (jacket)                         6,9 mm

Tolerance outer diameter (sheath)            ± 5 %

Material wire insulation                         PE

Amount wires                                     2

Outer diameter insulation                       2,1 mm

Outer diameter tolerance core insulation     ± 5 %

Shore hardness wire insulation                64 ± 5 Shore D

Ingredient freeness wire insulation         lead-free, CFC-free, halogen-free

Amount strands (wire)                         19

Diameter of single wires                       24 AWG

Conductor crosssection (wire)                24 AWG

Drain wire (cross-section)                      22 AWG

Material conductor wire                        copper stranded wire, tinned

Electrical function wire                        Data

Material wire insulation (Data)                PE

Outer diameter wire insulation (Data)        1,5 mm

Tolerance outer diameter wire insulation (data) ± 53 %

Ingredient freeness wire insulation (Data)   lead-free, CFC-free, halogen-free

Amount wires (Data)                            2

Amount strands wire (Data)                    19

Diameter of single wires (Data)               22 AWG

Conductor crosssection wire (Data)         22 AWG

Material conductor wire (Data)                copper stranded wire, tinned

Electrical function wire (data)                Power

Traversing distance (C-track)                 5 m

Travel speed (C-track)                         1 Mio.

Nominal voltage AC max.	300 V
Current load capacity (standard)	to DIN VDE 0298-4
Current load capacity min. wire	4,5 A
Current load capacity min. Wire (Data)	6 A
Electrical function wire	Data
Electrical function wire (data)	Power
Characteristic impedance	120 $\Omega \pm 10\%$ @ 1 MHz
Electrical resistance line constant wire	78 $\Omega$ /km
Electrical resistance coating wire (Data)	54 $\Omega$ /km
AC withstand voltage (wire - wire)	2 kV @ 60 s
Electric capacitance	40000 pF/km
AC withstand voltage (wire - shield)	2 kV @ 60 s
Min. operating temperature (static)	-40 °C
Max. operating temperature (fixed)	80 °C
Operating temperature min. (dynamic)	-30 °C
Operating temperature max. (dynamic)	70 °C
Flame resistance	UL 1581 § 1100 FT2   UL 1581 § 1090   IEC 60332-2-2
chemical resistance	Good, application-related testing
Gasoline resistance	Good, application-related testing
Oil resistance	Good, application-related testing   DIN EN 60811-404
Bending radius (installation)	x Outer diameter
Bending radius (fixed)	6 x Outer diameter
Bending radius (dynamic)	10 x Outer diameter
No. of torsion cycles	2 Mio.
Torsion stress	$\pm 30$ °/m
Torsion speed	35 cycles/min