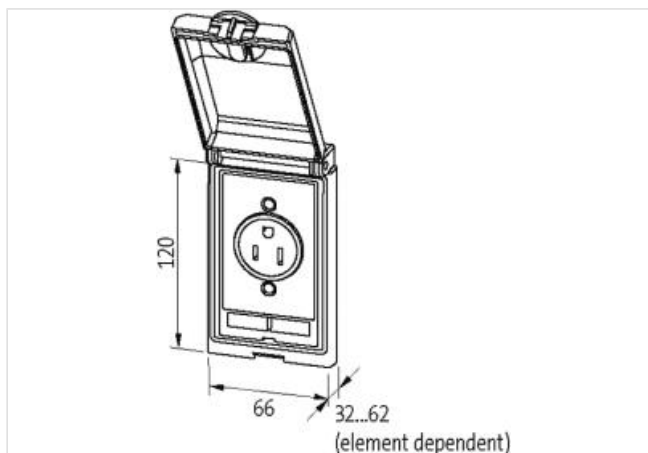


Modlink MSDD-set: Frame 4000-68113-0000000,

insert 4000-68000-0150000

[Link til produkt](#)

Illustrasjon



Produktet kan avvike fra bildet



Handelsinformasjon

ECLASS-6.0	27189217
ECLASS-6.1	27189217
ECLASS-7.0	27189217
ECLASS-8.0	27189217
ECLASS-9.0	27189217
ECLASS-10.1	27182806
ECLASS-11.1	27182806
ECLASS-12.0	27182806
ETIM-5.0	EC002625

Opplysningene i dette databladet er utarbeidet med størst mulig omhu.
All informasjon gis uten ansvar for eventuelle feil og mangler. 23.06.2024

GTIN	4048879332118
------	---------------

Pakkestørrelse	1
----------------	---

Tolltariffnummer	85366990
------------------	----------

Frame

Degree of protection (EN IEC 60529)	IP65
-------------------------------------	------

Operating temperature min.	-10 °C
----------------------------	--------

Operating temperature max.	60 °C
----------------------------	-------

Storage temperature min.	-25 °C
--------------------------	--------

Storage temperature max.	60 °C
--------------------------	-------

Suitable for installation wall thickness min.	1 mm
---	------

Suitable for installation wall thickness max.	5 mm
---	------

Coating housing	surface finished
-----------------	------------------

Material housing	Fine zinc die casting
------------------	-----------------------

France (UTE-NF)

Connection cross section max.	2,5 mm ²
-------------------------------	---------------------

AWG number max.	14
-----------------	----

Operating voltage AC	250 V
----------------------	-------

Operating current min.	10 A
------------------------	------

Operating current max.	16 A
------------------------	------

Connection	Spring clamp terminals FK
------------	---------------------------

No. of poles	2 + PE
--------------	--------

Connections per pole	2
----------------------	---

Protection contact present	yes
----------------------------	-----