

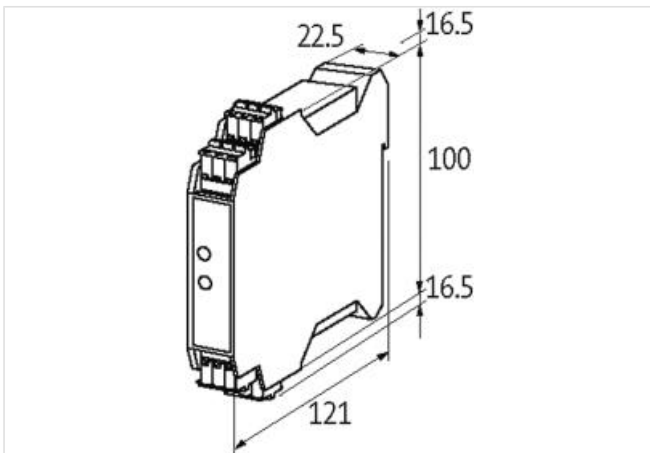
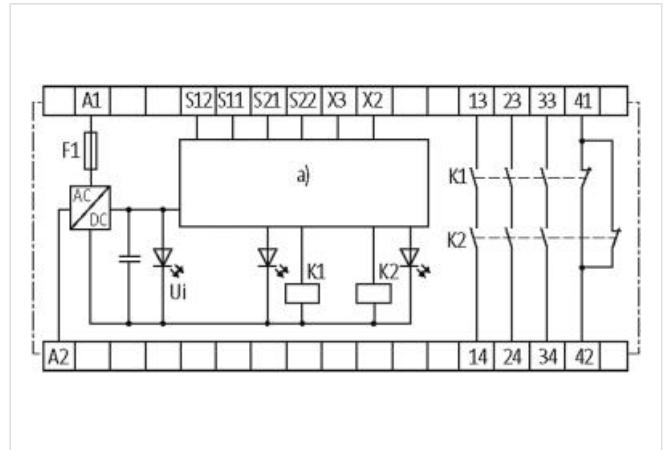
MIRO SAFE+ SWITCH H 48-230

48-230 VAC - 3 N/O contact / 1 N/C contact

6 A
 Protection-door and emergency-stop control
 Automatic/manual/manual monitored reset/start

[Link til produkt](#)

Illustrasjon



Produktet kan avvike fra bildet



Handelsinformasjon

ECLASS-6.0	27371819
ECLASS-6.1	27371819
ECLASS-7.0	27371819
ECLASS-8.0	27371819
ECLASS-9.0	27371819
ECLASS-10.1	27371819
ECLASS-11.1	27371819

Opplysningene i dette databladet er utarbeidet med størst mulig omhu. All informasjon gis uten ansvar for eventuelle feil og mangler. 26.06.2024

ECLASS-12.0	27371819
ETIM-5.0	EC001449
GTIN	4048879367530
Pakkestørrelse	1
Tolltariffnummer	85364900
Safety codes	
DCavg (EN ISO 13849-1)	99 %
Service life	20 a
Category (EN ISO 13849-1)	4
Performance level (EN ISO 13849-1)	e
SIL (IEC 61508)	3
Electrical data Supply	
Power consumption max.	2,8 W
Electrical data Input	
Input voltage AC min.	48 V
Input voltage AC max.	240 V
Electrical data Output	
No. of auxiliary contacts	1
No. of alarm outputs	0
No. of safety contacts	3
Utilization category AC-15 (EN IEC 60947-5-1)	6 A @ 230 V
Utilization category DC-13 STOP0 (EN IEC 60947-5-1)	6 A @ 24 V
Auxiliary contacts	41-42
Switching voltage AC max.	250 V
Switching voltage DC max.	250 V
Switching current max.	6 A
Switching capacity safety contacts STOP0	max. 250 V AC/6 A; min. 10 V AC/10 mA (resist./ind.), at suitable suppression
Safety contacts	13-14, 23-24, 33-34
Device protection	
Condition lifetime	load-dependent
Device protection Electrical	
Electrical lifetime	10000000 Cycles
Device protection Mechanical	
Mechanical endurance	10000000 Cycles
Mechanical data Material data	
Material contact	Ag Sn O
Material properties contact	positively driven, self-cleaning
Mechanical data Mounting data	
Mounting method	geschnappt
Suitable for mounting type	mounting rail, (EN 60715)
Height	100 mm
Width	22,5 mm
Depth	121 mm
Environmental characteristics Climatic	
Operating temperature min.	-25 °C
Operating temperature max.	45 °C
Storage temperature min.	-40 °C
Storage temperature max.	85 °C
Connection type 4	

Connection	Spring clamp terminals FK
Family construction form	terminal
Gender	female
Color contact carrier	black
No. of poles	4
PIN 1	34
PIN 2	24
PIN 3	14
PIN 4	42
Connection	Spring clamp terminals FK
Family construction form	terminal
Gender	female
Color contact carrier	black
No. of poles	4
PIN 1	X 2
PIN 2	S 22
PIN 3	S 21
PIN 4	A 2
Connection	Spring clamp terminals FK
Family construction form	terminal
Gender	female
Color contact carrier	black
No. of poles	4
PIN 1	X 3
PIN 2	S 12
PIN 3	S 11
PIN 4	A 1
Connection	Spring clamp terminals FK
Family construction form	terminal
Gender	female
Color contact carrier	black
No. of poles	4
PIN 1	33
PIN 2	23
PIN 3	13
PIN 4	41