

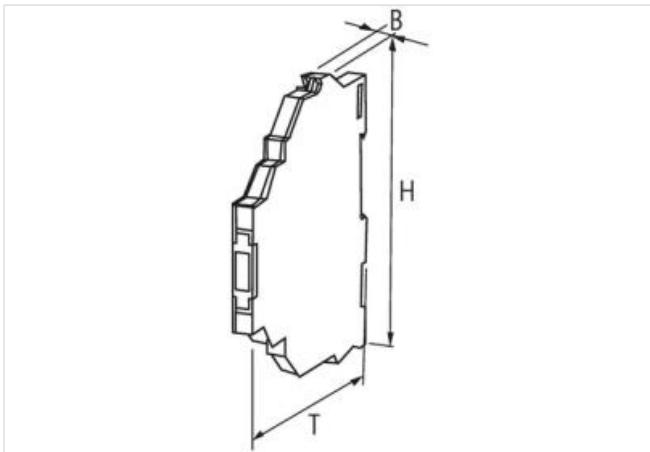
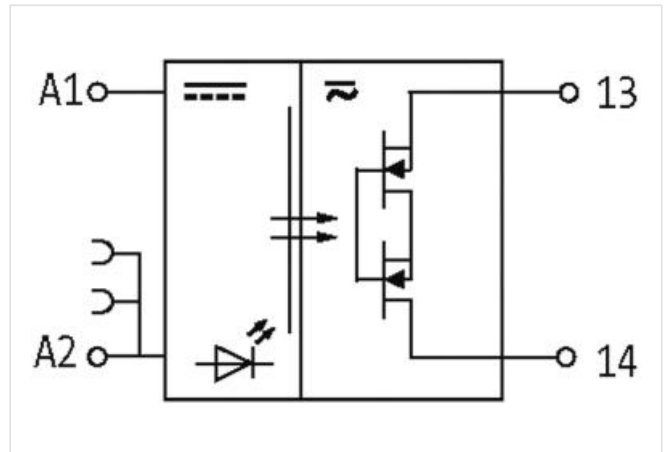
MIRO 6.2 24VDC 250VAC/DC-1A OPTO-COUPLER MODULE

IN: 53 VDC - OUT: 250 VAC / 350 VDC / 1 A

Transistor 1 A
24 V DC
Spring clamp terminals
Multi voltage output

[Link til produkt](#)

Illustrasjon



Produktet kan avvike fra bildet



Handelsinformasjon

ECLASS-6.0	27371601
ECLASS-6.1	27371604
ECLASS-7.0	27371604
ECLASS-8.0	27371604
ECLASS-9.0	27371604
ECLASS-10.1	27371604

ECLASS-11.1 27371604

ECLASS-12.0 27371604

ETIM-5.0 EC001504

GTIN 4048879021661

Pakkestørrelse 1

Tolltariffnummer 85414900

Electrical data | Input

Input voltage OFF DC min. 0 V

Input voltage OFF DC max. 5 V

Input voltage DC min. 10 V

Input voltage DC max. 53 V

Current input DC 10 mA

Electrical data | Output

Switch off delay max. 6 ms

Switch on delay max. 3 ms

Quiescent current OFF max. 0,025 mA

Switching frequency max. 10 Hz

Voltage switching AC min. 5 V

Switching voltage AC max. 250 V

Voltage switching DC min. 5 V

Switching voltage DC max. 350 V

Switching current min. 1 mA

Switching current max. 1 A

Voltage drop AC max. 0,7 V

Voltage drop DC max. 0,7 V

Diagnostics

Status indication LED yellow

Device protection | Electrical

Rated insulation voltage 2750 V

Device protection | Media

Flame resistance flame retardant

Mechanical data | Material data

Color housing black

Material housing Plastic

Mechanical data | Mounting data

Mounting method geschnappt

Suitable for mounting type mounting rail, (EN 60715)

Height 78 mm

Width 6,2 mm

Depth 70 mm

Environmental characteristics | Climatic

Operating temperature min. -20 °C

Operating temperature max. 60 °C

Connection type 4

Connection Spring clamp terminals FK

Family construction form terminal

Gender female

Color contact carrier black

No. of poles 1

PIN 1 13

Connection	Spring clamp terminals FK
Family construction form	terminal
Gender	female
Color contact carrier	black
No. of poles	1
PIN 1	14
Connection	Spring clamp terminals FK
Family construction form	terminal
Gender	female
Color contact carrier	black
No. of poles	1
PIN 1	A 1
Connection	Spring clamp terminals FK
Family construction form	terminal
Gender	female
Color contact carrier	black
No. of poles	1
PIN 1	A 2