

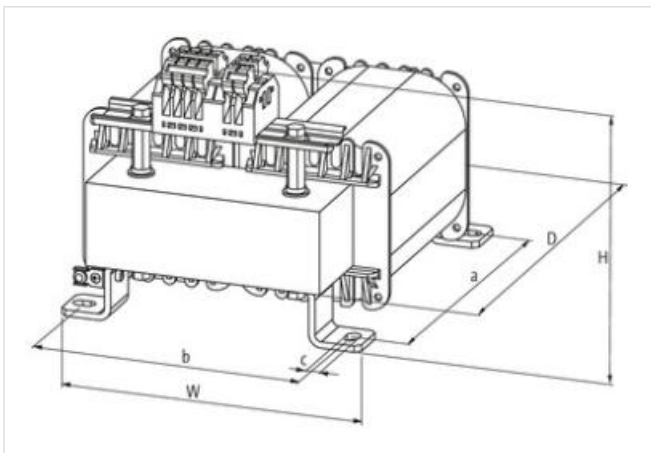
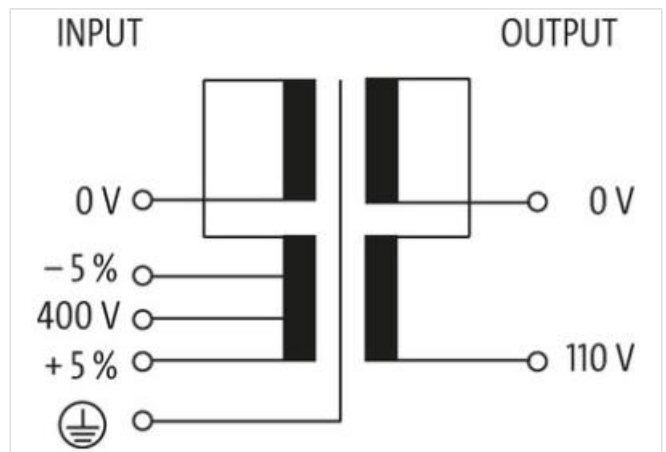
MET SINGLE-PHASE CONTROL AND ISOLATION TRANSFORMER

P:3000VA IN:400VAC±5% OUT:110VAC

Single-phase - Control and Isolation Transformers
3000 VA
Isolation class T 40/B

[Link til produkt](#)

Illustrasjon



Produktet kan avvike fra bildet

Handelsinformasjon

ECLASS-6.0	27031202
ECLASS-7.0	27031202
ECLASS-8.0	27031202
ECLASS-9.0	27031202
ETIM-5.0	EC002485
GTIN	4048879073844
Pakkestørrelse	1
Tolltariffnummer	85043200

Electrical data | Supply

Power frequency	50 ... 60 Hz
-----------------	--------------

Electrical data | Input

Opplysningene i dette databladet er utarbeidet med størst mulig omhu. All informasjon gis uten ansvar for eventuelle feil og mangler. 26.06.2024

Input voltage AC	400 V
Input voltage AC min.	380 V
Input voltage AC max.	420 V
Current input AC	7,85 A
Max. inrush current	140 A
Short-circuit current	374 A

Electrical data | Output

Output voltage AC 1	110 V
Output voltage adjustable	no
Power rating AC max.	3000 VA

Device protection | Electrical

Insulation test voltage input - output	5,1 kV
--	--------

Mechanical data | Mounting data

Mounting method	screwed
Mounting dimension a	200 mm
Mounting dimension b	174 mm
Mounting dimension c	9 mm
Height	168 mm
Width	195 mm
Depth	250 mm
Diameter bore	9 mm
Length bore	14 mm

Environmental characteristics | Climatic

Operating temperature min.	-20 °C
Operating temperature max.	40 °C
Storage temperature min.	-40 °C
Storage temperature max.	80 °C

Conformity

Product standard	EN 61558-1, EN 61558-2-4, EN 62041 category 0
------------------	---