

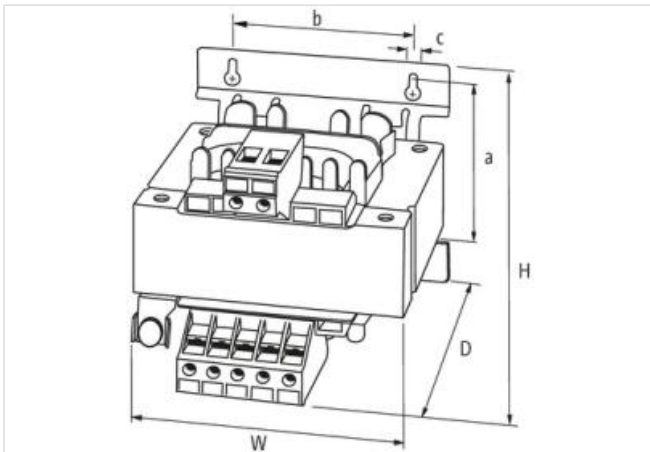
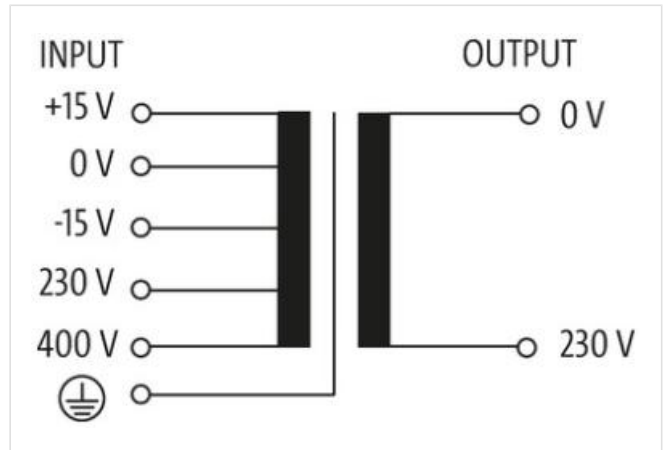
## MST SINGLE-PHASE CONTROL AND ISOLATION TRANSFORMER

P:63VA IN:230/400VAC±15VAC OUT:230VAC

Single-phase - Control and Isolation Transformers  
 63 VA  
 Isolation class T 40/B  
 Other voltages on request.

### [Link to Product](#)

#### Illustration



Product may differ from Image

#### Commercial data

ECLASS-6.0	27031202
ECLASS-7.0	27031202
ECLASS-8.0	27031202
ECLASS-9.0	27031202
ETIM-5.0	EC002486
customs tariff number	85043180
GTIN	4048879073950
Packaging unit	1

#### Electrical data | Supply

Power frequency	50 ... 60 Hz
-----------------	--------------

Electrical data   Input	
Input voltage 1 AC	230 V
Input voltage 1 AC min.	195,5 V
Input voltage 1 AC max.	264,5 V
Input voltage 2 AC	400 V
Input voltage 2 AC min.	340 V
Input voltage 2 AC max.	460 V
Input current at input voltage 1 AC	0,32 A
Input current at input voltage 2 AC	0,18 A
Inrush current at input voltage 1	2,2 A
Inrush current at input voltage 2	1,3 A
Short-circuit current at input voltage 1	2,9 A
Short-circuit current at input voltage 2	1,7 A
Electrical data   Output	
Output voltage AC	230 V
Output voltage adjustable	no
Power rating AC max.	63 VA
Device protection   Electrical	
Insulation test voltage input - output	4,7 kV
Mechanical data   Mounting data	
Suitable for mounting type	Schlüssellochaufhängung
Mounting dimension a	47,5 mm
Mounting dimension b	56 mm
Mounting dimension c	4,8 mm
Height	69 mm
Width	78 mm
Depth	90 mm
Environmental characteristics   Climatic	
Operating temperature min.	-20 °C
Operating temperature max.	40 °C
Storage temperature min.	-40 °C
Storage temperature max.	80 °C
Conformity	
Product standard	EN 61558-2-6, EN 62041 category 0
Connection type 3	
Connection type 1	Input
Connection type 2	Output
Connection	Screw terminals SK
Family construction form	terminal
Gender	female
No. of poles	5
PIN 1	+ 15 V
PIN 3	- 15 V
PIN 4	230 V
PIN 5	400 V
Connection	Screw terminals SK
Family construction form	terminal
Gender	female
No. of poles	2
PIN 2	230 V
Connection	Screw terminals SK
Family construction form	terminal

Gender	female
Color contact carrier	metallic
No. of poles	1
PIN 1	PE