

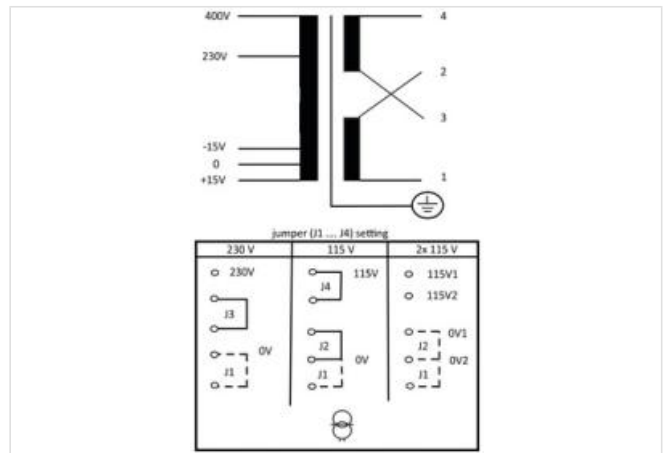
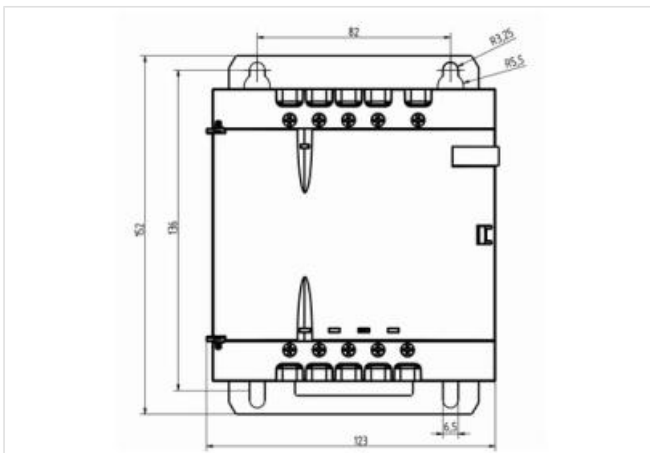
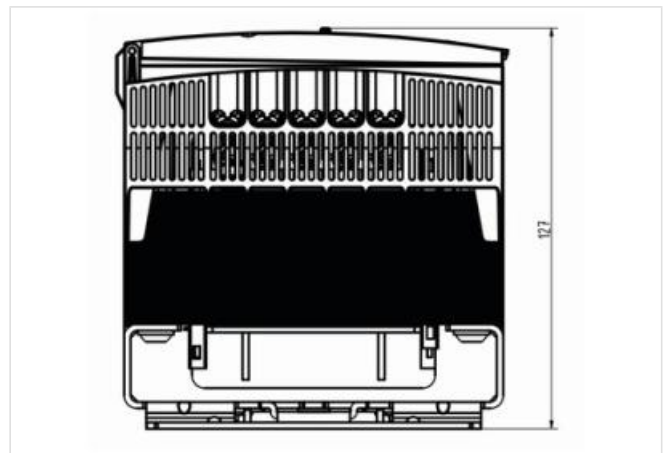
MTL 1-PHASE CONTROL AND ISOLATION TRANSFORMER

P: 160VA IN: 230/400VAC +/- 15VAC OUT: 2x115VAC

The MTL series comprises single-phase control transformers/isolating transformers of the protection class I and protection degree IP20 with double insulation between the primary and secondary windings for general use in industrial applications.

[Link to Product](#)

Illustration



Product may differ from Image



Commercial data

ECLASS-6.0	27031302
ECLASS-7.0	27031302
ECLASS-8.0	27031302
ECLASS-9.0	27031302
ETIM-5.0	EC002486
customs tariff number	85043180
GTIN	4048879078191

Packaging unit 1

Electrical data | Supply

Power frequency 50 ... 60 Hz

Electrical data | Input

Input voltage 1 AC 230 V

Input voltage 1 AC min. 195,5 V

Input voltage 1 AC max. 264,5 V

Input voltage 2 AC 400 V

Input voltage 2 AC min. 340 V

Input voltage 2 AC max. 460 V

Input current at input voltage 1 AC 0,84 A

Input current at input voltage 2 AC 0,49 A

Inrush current at input voltage 1 10,3 A

Inrush current at input voltage 2 5,92 A

Short-circuit current at input voltage 1 16,6 A

Short-circuit current at input voltage 2 9,58 A

Electrical data | Output

Output voltage 1 × 230 / 1 × 115 / 2 × 115 V AC

Output voltage AC 1 230 V

Output voltage AC 2 115 V

Output voltage adjustable yes

Power rating AC max. 160 VA

Diagnostics

Status indication LED green

Device protection | Electrical

Insulation test voltage input - output 4 kV

Mechanical data | Mounting data

Mounting method geschnappt

Suitable for mounting type Tragschiene TH35-15, Schlüssellochaufhängung, (EN 60715)

Mounting dimension a 136 mm

Mounting dimension b 82 mm

Mounting dimension c 6,5 mm

Height 153 mm

Width 123 mm

Depth 128 mm

Diameter bore 6,5 mm

Length bore 11 mm

Environmental characteristics | Climatic

Operating temperature min. -20 °C

Operating temperature max. 60 °C

Conformity

Product standard EN 61558-1, EN 61558-2-4, EN 62041 category 0

Connection type 2

Connection type 1 Input

Connection type 2 Output

Connection Screw terminals SK

Family construction form terminal

Gender female

No. of poles 5

PIN 1 + 15 V

PIN 3 - 15 V

PIN 4	230 V
PIN 5	400 V
Connection	Screw terminals SK
Family construction form	terminal
Gender	female
No. of poles	5
PIN 1	PE
PIN 2	1
PIN 3	2
PIN 4	3
PIN 5	4