

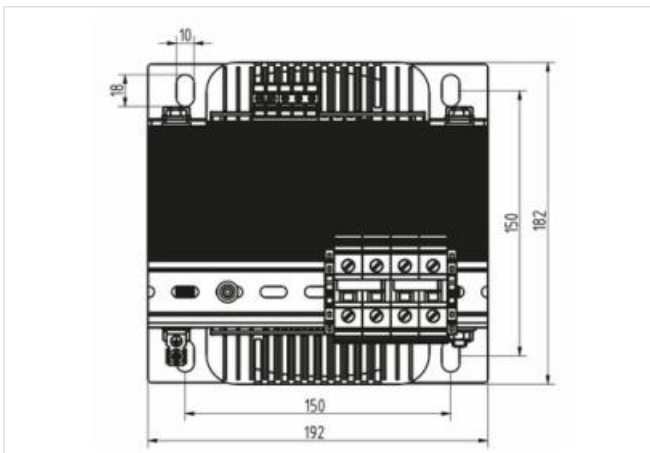
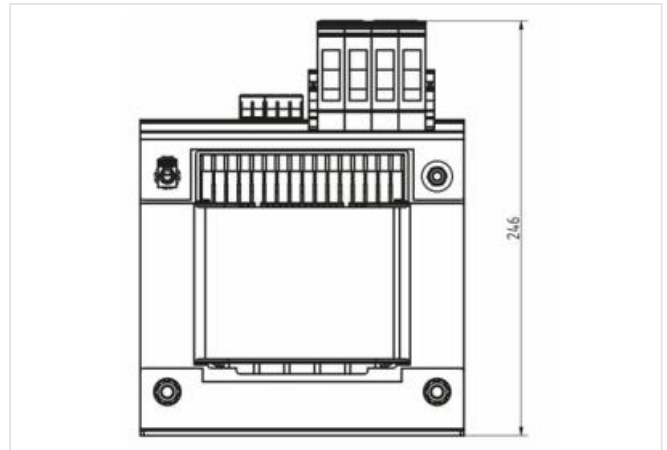
MTL 1-PHASE SAFETY TRANSFORMER

P: 2500VA IN: 230/400VAC +/- 15VAC OUT: 2x24VAC

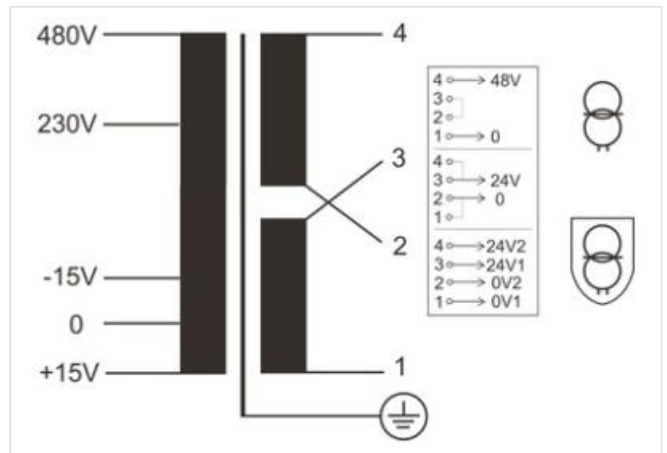
The MTL series comprises single-phase safety transformers/isolating transformers of the protection class I and protection degree IP20 with double insulation between the primary and secondary windings for general use in industrial applications.

[Link to Product](#)

Illustration



Product may differ from Image



Commercial data

ECLASS-6.0	27031302
ECLASS-7.0	27031302
ECLASS-8.0	27031302
ECLASS-9.0	27031302
ETIM-5.0	EC002486
customs tariff number	85043200
GTIN	4048879078245

Packaging unit 1

Electrical data | Supply

Power frequency 50/60 Hz

Electrical data | Input

Input voltage 1 AC 230 V

Input voltage 2 AC 400 V

Input current at input voltage 1 AC 11,4 A

Input current at input voltage 2 AC 6,6 A

Inrush current at input voltage 1 174 A

Inrush current at input voltage 2 100,5 A

Short-circuit current at input voltage 1 604 A

Short-circuit current at input voltage 2 349 A

Electrical data | Output

Output voltage 1 × 24 / 1 × 48 / 2 × 24 V AC

Mechanical data | Mounting data

Mounting method screwed, geschnappt

Suitable for mounting type 4 hole screw mounting

Mounting dimension a 150 mm

Mounting dimension b 150 mm

Mounting dimension c 10 mm

Height 178 mm

Width 192 mm

Depth 245 mm

Environmental characteristics | Climatic

Ambient temperature min. -20 °C

Ambient temperature max. 60 °C

Storage temperature min. -40 °C

Storage temperature max. 80 °C

Conformity

Product standard EN 61558-1, EN 61558-2-4, EN 61558-2-4, EN 62041

EMC 2004/108/EG