

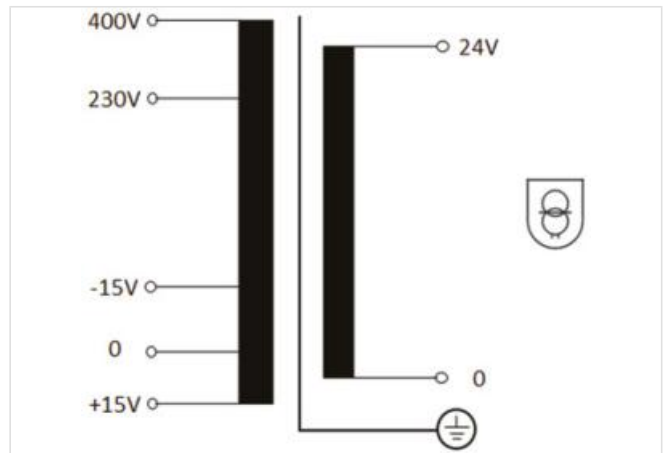
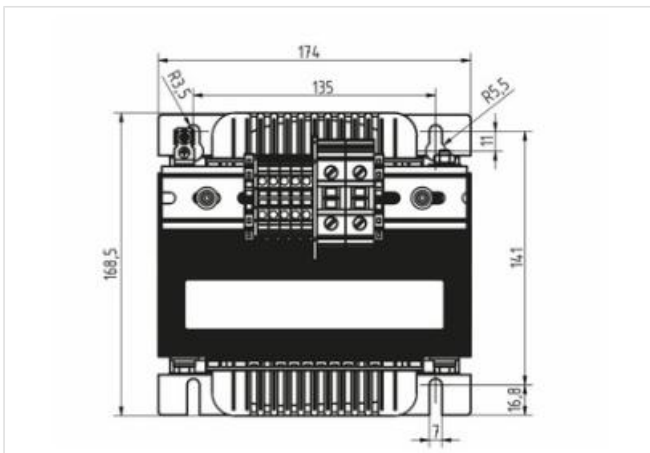
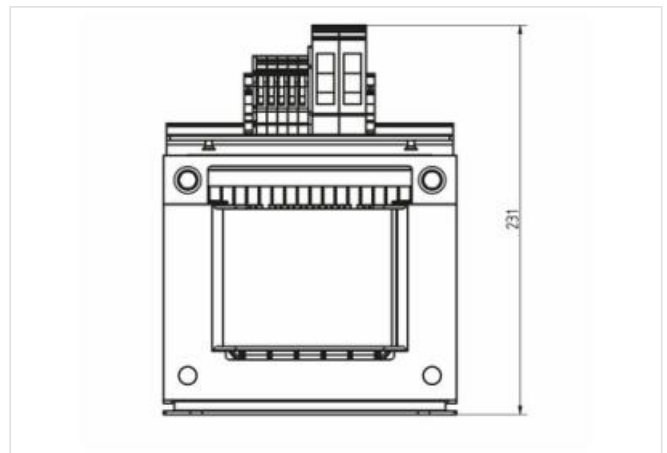
MET 1-Phase safety and isolating transformer

P: 1600VA IN: 230-400VAC +/- 15VAC OUT: 24VAC

The MET series comprises single-phase safety transformers/isolating transformers of the protection class I and protection degree IP00 with double insulation between the primary and secondary windings for general use in industrial applications.

[Link to Product](#)

Illustration



Product may differ from Image



Electrical data | Supply

Power frequency 50/60 Hz

Electrical data | Input

Input voltage 1 AC	230 V
Input voltage 2 AC	400 V
Input current at input voltage 1 AC	7,4 A
Input current at input voltage 2 AC	4,3 A

Inrush current at input voltage 1	140 A
Inrush current at input voltage 2	80,5 A
Short-circuit current at input voltage 1	337 A
Short-circuit current at input voltage 2	194 A

Electrical data | Output

Output voltage AC	24 V
-------------------	------

Mechanical data | Mounting data

Mounting method	screwed
Suitable for mounting type	Schlüssellochauhängung
Mounting dimension a	141 mm
Mounting dimension b	135 mm
Mounting dimension c	3,5 mm
Height	168,5 mm
Width	174 mm
Depth	231 mm
Diameter bore	3,5 mm
Length bore	11 mm

Environmental characteristics | Climatic

Ambient temperature min.	-20 °C
Ambient temperature max.	50 °C
Storage temperature min.	-30 °C
Storage temperature max.	80 °C

Conformity

Product standard	EN 61558-1, EN 61558-2-6, EN 62041
EMC	2014/30/EU

Commercial data

customs tariff number	85043200
GTIN	4065909078914
Packaging unit	1